

Kýma

gaviota
Sun Life Specialist

Kýma

gaviota
Sun Life Specialist

- Box multi-arms system with the maximum width up to 14x3,5m with charge profile Kýma
- Possibility to joint 7m profiles with joint kit. This is a box with all the benefits for any kind of installation.
- Without central support
- Possibility of flat hood installation



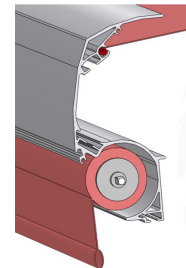
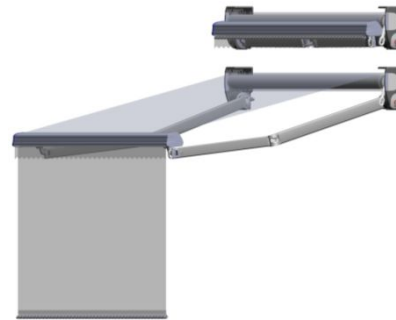
- Simple installation
- Frontal elbows adjustment.
Accessible with folded arms
- Compatible with Premium and
Concept arms (possibility of
lighting leds)
- Hidden cables (motor and leds)



COMPLEMENTS

CURTAIN KÝMA VERTIKO

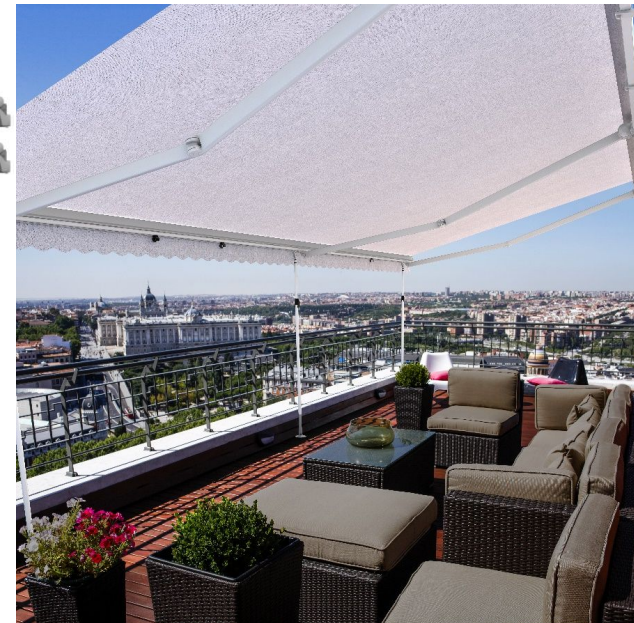
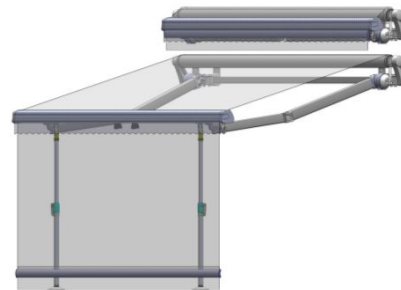
- This is a charge profile with adjustable curtain, easy to install and to use
- With motor or gear
- Maximum with 1 section:
5x1,80m (with gear) or
5x1,40m (with motor)
- With Kýma you can joint 2 sections Vertiko to have the maximum width 10 m



COMPLEMENTS

TELESCOPIC POLE

- Adjustment system for charge profile Kýma Vertiko
- Gives stability and strength
- Protects from sudden wind gusts



COMPATIBLE

Arm Premium

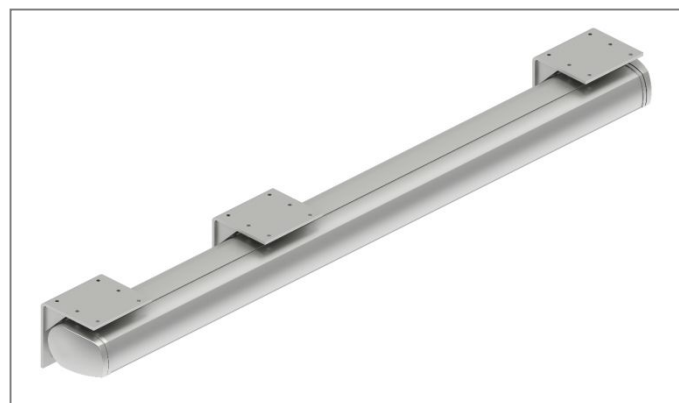


*Arm Concept
(possibility of leds)*

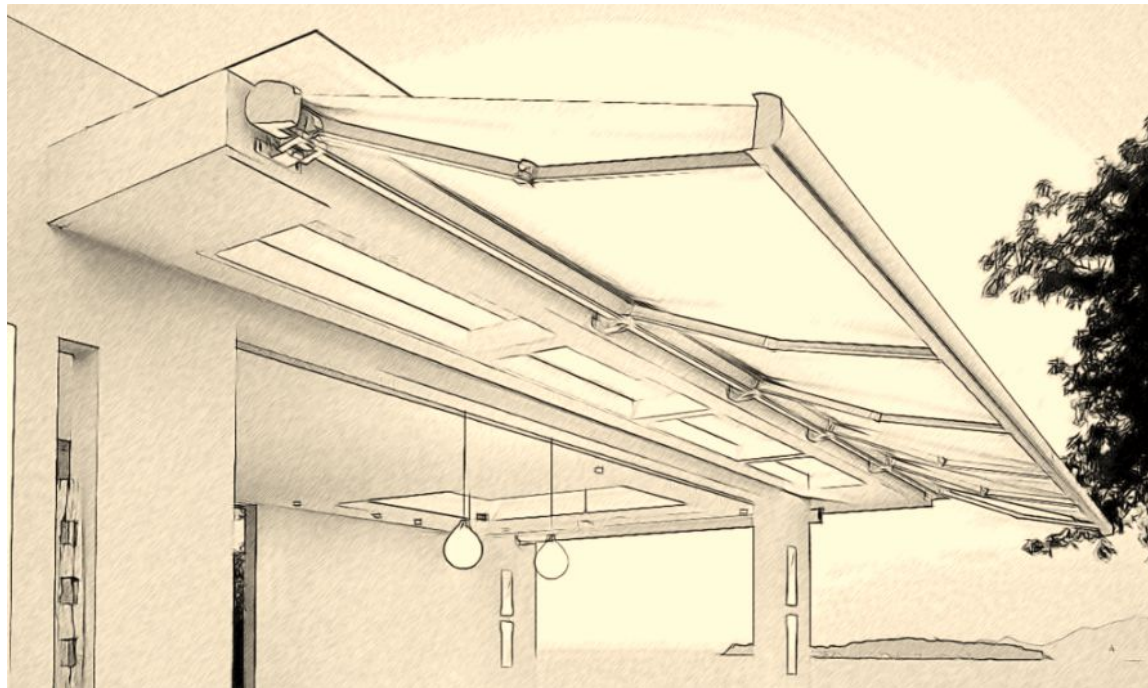


Installation:

- Wall: frontal installation
- Ceiling: with additional ceiling support - 80131177



CHARGE PROFILE KÝMA

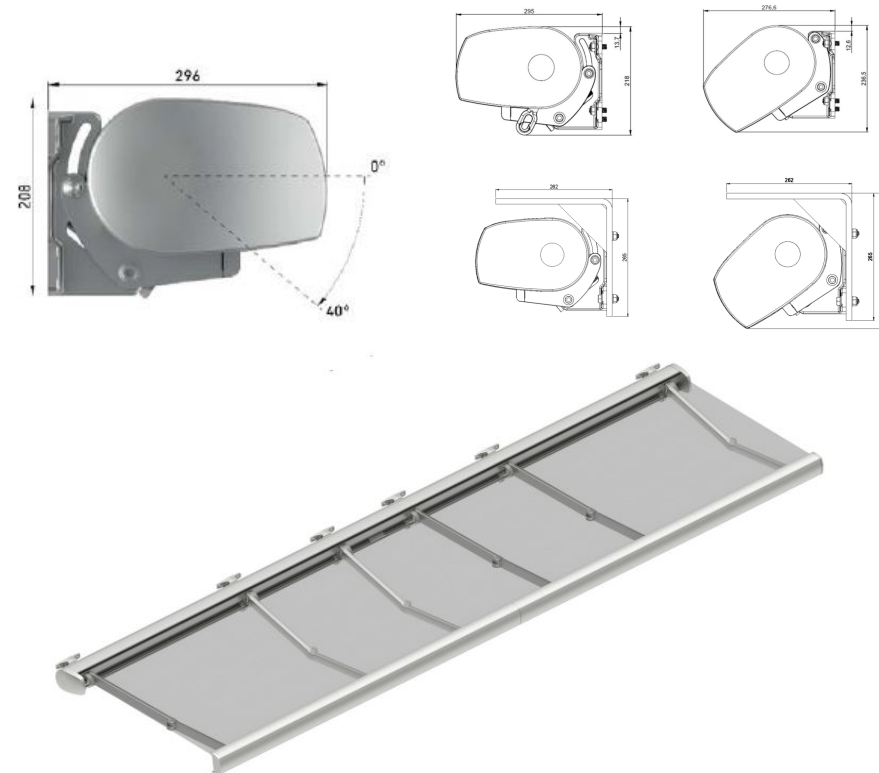


Kýma

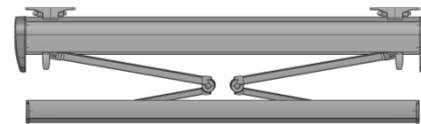
gaviota
Sun Life Specialist

CHARGE PROFILE KÝMA

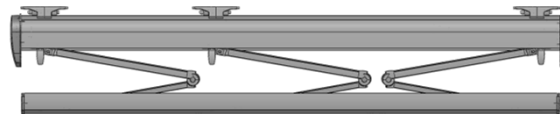
Brazos Arms Bras Bracci	Sin unión • Without joint Sans union • Senza unione (m)	Con unión • With joint Avec union • Con unione (m)
2	6,00 línea x 3,50 salida 6,00 line x 3,50 projection 6,00 ligne x 3,50 projection 6,00 larghezza x 3,50 sporgenza	
3	7,00 línea x 3,50 salida 7,00 line x 3,50 projection 7,00 ligne x 3,50 projection 7,00 larghezza x 3,50 sporgenza	
3		9,00 línea x 3,50 salida 9,00 line x 3,50 projection 9,00 ligne x 3,50 projection 9,00 larghezza x 3,50 sporgenza
4		12,50 línea x 3,50 salida 12,50 line x 3,50 projection 12,50 ligne x 3,50 projection 12,50 larghezza x 3,50 sporgenza
5/6		14,00 línea x 3,50 salida 14,00 line x 3,50 projection 14,00 ligne x 3,50 projection 14,00 larghezza x 3,50 sporgenza



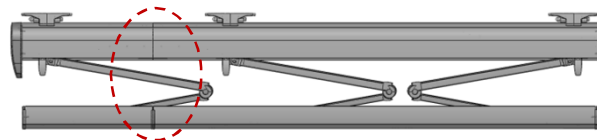
Type 1: 2 arms. Without joint (Up to 6m)

1

Type 2: 3 arms. Without joint (Up to 7m)

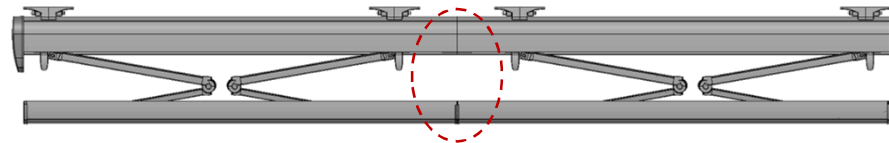
2

Type 3: 3 arms. With joint (From 7,01 up to 9m)

3

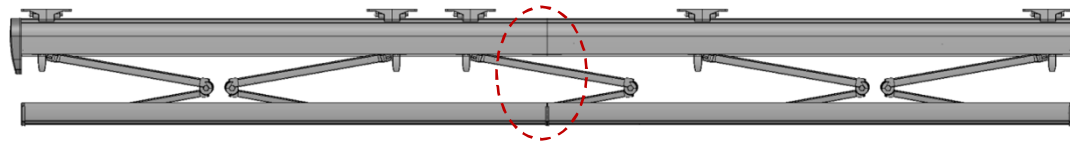
Type 4: 4 arms. With joint (Up to 12,5m)

4



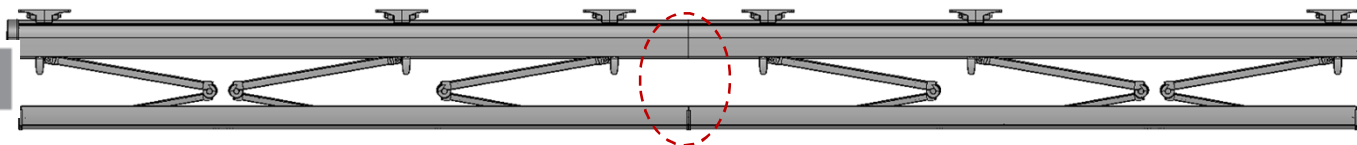
Type 5: 5 arms. With joint (Up to 14m)

5



Type 6: 6 arms. With joint (Up to 14m)

6



Class depending on width, projection and arm number																									
Width (m)	2,00	3,00	4,00	5,00	6,00	7,00	7,50	8,00	9,00	10,00	11,00	12,50	14,00	Arm number											
Projection (m)		3	2	3	2	3	2	3	2	3	3	3	4	3	4	3	4	4	5	4	5	4	5	5	6
1.50	A		A	A	A	A	A	A	A	A	A	A	A	A	A	A	A	A	A	A	A	A	A	A	A
1.75			A		A	A	A	A	A	A	A	A	A	A	A	A	A	A	A	A	A	A	A	A	A
2.00			A		A	A	A	A	A	A	A	A	A	A	A	A	A	A	A	A	A	A	A	A	A
2.25			A		A	A	A	A	A	A	A	A	A	A	A	A	A	A	A	A	A	A	A	A	A
2.50					A		A	A	A	A	A	A	A	A	A	A	A	A	A	A	A	A	A	A	A
2.75					A		A	A	A	A	A	A	A	A	A	A	A	A	A	A	A	A	A	A	A
3.00					A		A		A	A	A	A	A	A	A	A	A	A	A	A	A	A	A	A	A
3.25					A		A		B	A	B	A		B	A	B	A	A	A	B	A	B	A	B	A
3.50							A		B	A	B	A		B		B	A	A		B	A	B	A	B	A

- The letter in the selection box indicates the class:

A = Class II B = Class I












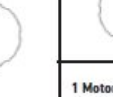
Resistencia al Viento • Wind Resistance • Résistance au Vent • Resistenza al Vento		
Clase • Class Clase • Classe	Velocidad Máxima Viento • Maximum Wind Speed Vélocité Maximale Vent • Velocità Massima Vento	Presión • Pressure Pression • Pressione
1	28 Km/h	40 N/m ²
2	38 Km/h	70 N/m ²
3	49 Km/h	110 N/m ²

RECOMENDATIONS GEAR Y MOTOR

- **Gear:** maximum 6x3,5
GEL 1:11 Cáncamo de 120
- **Motor:** dependiendo de medidas:
 - CrossBox S45, CrossBox S55 with remote control Cross, optional sensor Sun-Wind
 - 2 motors GS S55 + central Tandem + remote control Omega
 - arms Concept with leds: receiver Cross and remote control Cross 15 canales

Ø78 axis	Arm projection (m)										
	1,50	1,75	2,00	2,25	2,50	2,75	3,00	3,25	3,50		
1	30 Nm CrossBox S45	40 Nm CrossBox S45			50 Nm CrossBox S45						
2 3	50 Nm CrossBox S45										

Ø85 axis	Salida del brazo (m)									
	1,50	1,75	2,00	2,25	2,50	2,75	3,00	3,25	3,50	
1	40 Nm CrossBox S45			50 Nm CrossBox S45				80 Nm CrossBox S55		
2 3	50 Nm CrossBox S45		80 Nm CrossBox S55				100 Nm CrossBox S55			
4	80 Nm CrossBox S55			100 Nm CrossBox S55			120 Nm CrossBox S55			
5	80 Nm CrossBox S55	100 Nm CrossBox S55	120 Nm CrossBox S55		2x80 Nm 2GS + Tandem S55					
6	100 Nm CrossBox S55	120 Nm CorssBox S55		2x80 Nm 2GS + Tandem S55			2x100 Nm 2GS + Tandem S55			

Cutting table										
	PROFILES				CANVAS	AXIS				
	BOX PROFILE			CHARGE PROFILE		Ø78*		Ø85		
	BOX	UPPER PROFILE	FRONTAL PROFILE	FRONTAL PVC PROFILE	STANDARD B/C	AWNING	GEAR	MOTOR	GEAR	MOTOR
										
									1 Motor	2 Motors
1	Lp = L - 104			Bc = L - 136	L - 144	L-93	L-H-48,5	L-93	L-H-48,5	-
2	Lp = L - 104			Bc = L - 136		-			-	-
3	Lp 1 = L - 2.115			Bc1 = L - 2.134		-	-	-	-	-
	Lp 2 = 2.011			Bc2 = 2.030		-	-	-	-	-
4	Lp = L - 104			Bc3 = (L - 142) / 2		-	-	-	-	(L-(Hx2) - 33) / 2
5	Lp = L - 104			Bc3 = (L - 142) / 2		-	-	-	-	-
6	Lp = L - 104			Bc3 = (L - 142) / 2	-	-	-	-	-	

All dimensions in mm, unless otherwise stated.

(*) Tube Ø78 maximum width 6m

L = Width.

Lp = Profile length.

Bc = Charge profile length.

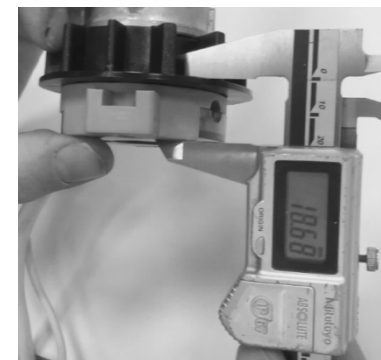
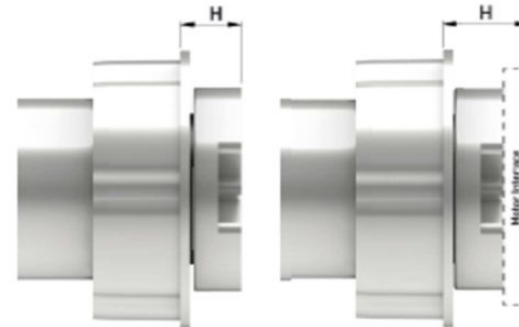
Bc1 and Bc2 = Standard asymmetric charge profile length for Type 3.

Bc3 = Charge profile length for two modules Type 3, 4, 5 and 6.

H = Dimension of motor head with adaptor.

Dimension H motors Gaviota

<i>Code</i>		<i>Tube 78</i>	<i>Tube 85</i>
60050188	MOTOR CROSS BOX 120/7 S55	19 mm	18 mm
60050187	MOTOR CROSS BOX 100/10 S55	19 mm	18 mm
60050186	MOTOR CROSS BOX 80/12 S55	19 mm	18 mm
60050166	MOTOR CROSS BOX 50/12 S45	19,5 mm	20 mm
60050165	MOTOR CROSS BOX 40/15 S45	19,5 mm	20 mm
60050139	MOTOR GS-100/10 S55	19 mm	18 mm
60050138	MOTOR GS-80/12 S55	19 mm	18 mm



Awning minimum width depending on the supports position

How to read the manual

Table M: Awning minimum width depending on the supports position

Placement of supports depending on width and configuration																				
(m)	1			2			3			4			5				6			
	Lmin if X=166	Lmin if X=350	Y	Lmin if X=166	Lmin if X=350	Y	Lmin if X=166	Lmin if X=350	Y	Lmin if X=166	Lmin if X=350	Z	Lmin if X=166	Lmin if X=350	Y	Z	Lmin if X=166	Lmin if X=350	Y	Z
1.50	1.929	2.297	1.597	2.748	3.116	819	2.908	3.276		4.098	4.466		4.946	5.314	710		5.863	6.231	819	
1.75	2.181	2.549	1.849	3.125	3.493	944	3.285	3.653		4.602	4.970		5.450	5.818	710		6.618	6.986	944	
2.00	2.512	2.880	2.180	3.622	3.990	1.110	3.782	4.150		5.264	5.632		6.112	6.480	710		7.612	7.980	1.110	
2.25	2.763	3.131	2.431	3.999	4.367	1.236	4.159	4.527		5.767	6.135		6.614	6.982	710		8.366	8.734	1.236	
2.50	3.015	3.383	2.683	4.377	4.745	1.362	4.537	4.905	2.317	6.280	6.648	286	7.118	7.486	710	350	9.122	9.490	1.362	350
2.75	3.347	3.715	3.015	4.874	5.242	1.527	5.034	5.402		6.934	7.302		8.249	8.617	764		10.116	10.484	1.527	
3.00	3.596	3.964	3.264	5.251	5.619	1.653	5.411	5.779		7.436	7.804		8.878	9.246	827		10.871	11.239	1.653	
3.25	3.850	4.218	3.518	5.629	5.997	1.779	5.789	6.157		7.940	8.308		9.507	9.875	889		11.625	11.993	1.779	
3.50	4.101	4.469	3.769	6.006	6.374	1.905	6.166	6.534		8.443	8.811		10.136	10.504	952		12.380	12.748	1.905	

X - minimum 166mm and maximum 350mm

X = Distance of support A to the sides

Y and Z - always fixed as per table

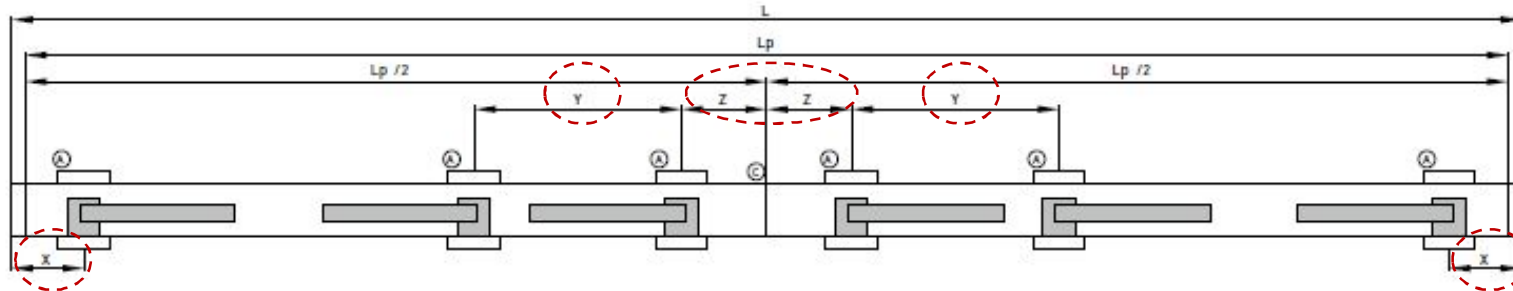
Z = Distance of support A to interior

Y = Distance between supports with arms facing each other

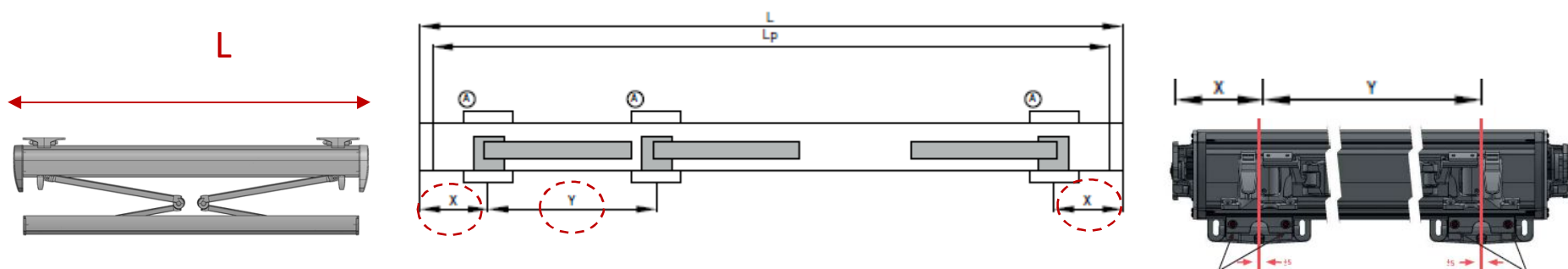
Depending on X and arm projection, the minimum awning width is different

(m)	6			
	Lmin if X=166	Lmin if X=350	Y	Z
1.50	5.863	6.231	819	350
1.75	6.618	6.986	944	
2.00	7.612	7.980	1.110	
2.25	8.366	8.734	1.236	
2.50	9.122	9.490	1.362	
2.75	10.116	10.484	1.527	
3.00	10.871	11.239	1.653	
3.25	11.625	11.993	1.779	
3.50	12.380	12.748	1.905	

6



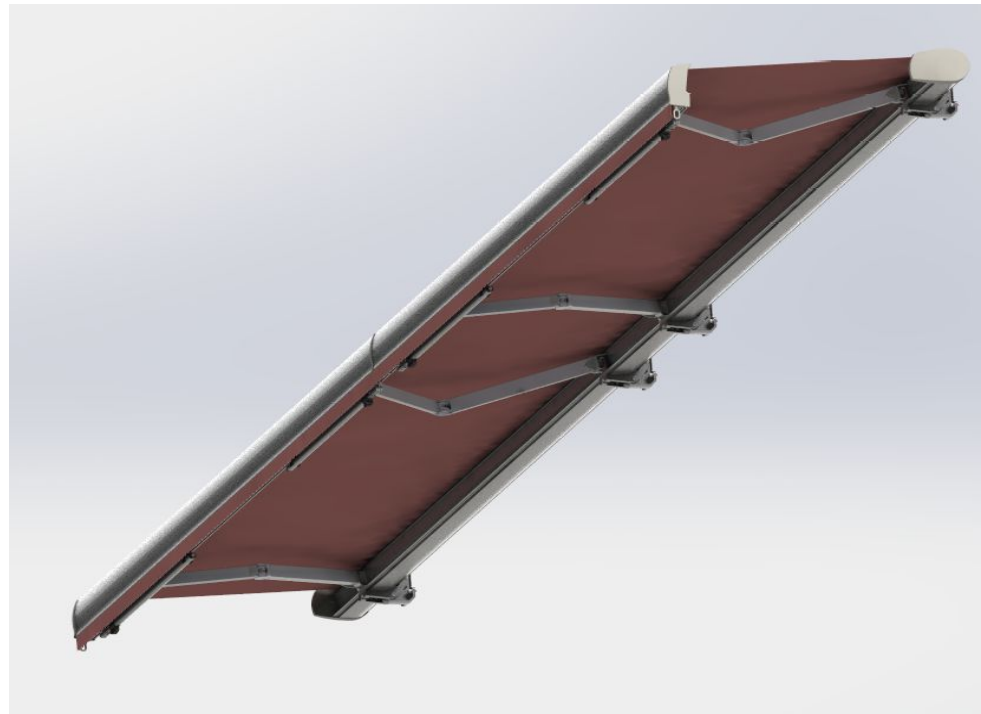
Placement of supports depending on width and configuration																				
(m)	1			2			3			4			5				6			
	Lmin if X=166	Lmin if X=350	Y	Lmin if X=166	Lmin if X=350	Y	Lmin if X=166	Lmin if X=350	Y	Lmin if X=166	Lmin if X=350	Z	Lmin if X=166	Lmin if X=350	Y	Z	Lmin if X=166	Lmin if X=350	Y	Z
1.50	1.929	2.297	1.597	2.748	3.116	819	2.908	3.276	2.317	4.098	4.466	286	4.946	5.314	710	350	5.863	6.231	819	350
1.75	2.181	2.549	1.849	3.125	3.493	944	3.285	3.653		4.602	4.970		5.450	5.818	710		6.618	6.986	944	
2.00	2.512	2.880	2.180	3.622	3.990	1.110	3.782	4.150		5.264	5.632		6.112	6.480	710		7.612	7.980	1.110	
2.25	2.763	3.131	2.431	3.999	4.367	1.236	4.159	4.527		5.767	6.135		6.614	6.982	710		8.366	8.734	1.236	
2.50	3.015	3.383	2.683	4.377	4.745	1.362	4.537	4.905		6.280	6.648		7.118	7.486	710		9.122	9.490	1.362	
2.75	3.347	3.715	3.015	4.874	5.242	1.527	5.034	5.402		6.934	7.302		8.249	8.617	764		10.116	10.484	1.527	
3.00	3.596	3.964	3.264	5.251	5.619	1.653	5.411	5.779		7.436	7.804		8.878	9.246	827		10.871	11.239	1.653	
3.25	3.850	4.218	3.518	5.629	5.997	1.779	5.789	6.157		7.940	8.308		9.507	9.875	889		11.625	11.993	1.779	
3.50	4.101	4.469	3.769	6.006	6.374	1.905	6.166	6.534		8.443	8.811		10.136	10.504	952		12.380	12.748	1.905	



Kýma

gaviota
Sun Life Specialist

CHARGE PROFILE KÝMA VERTIKO



CHARGE PROFILE VERTIKO KYMA

- Regulation range: 40°
- Maximum width of curtain:
5m x 2 section (10m box width)
- Tube Ø43 (gear), fabric capacity 1,80m
- Tube Ø47 (motor), fabric capacity 1,40m

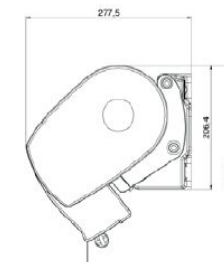
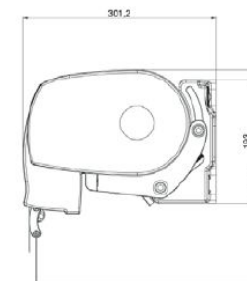
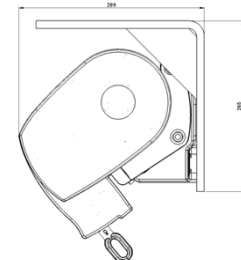
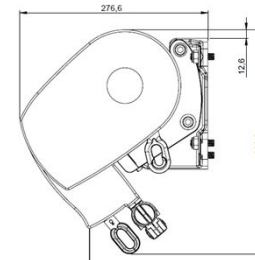
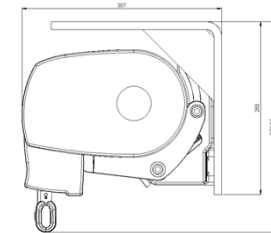
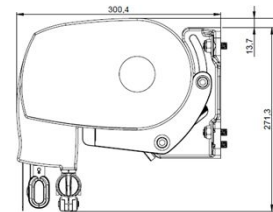
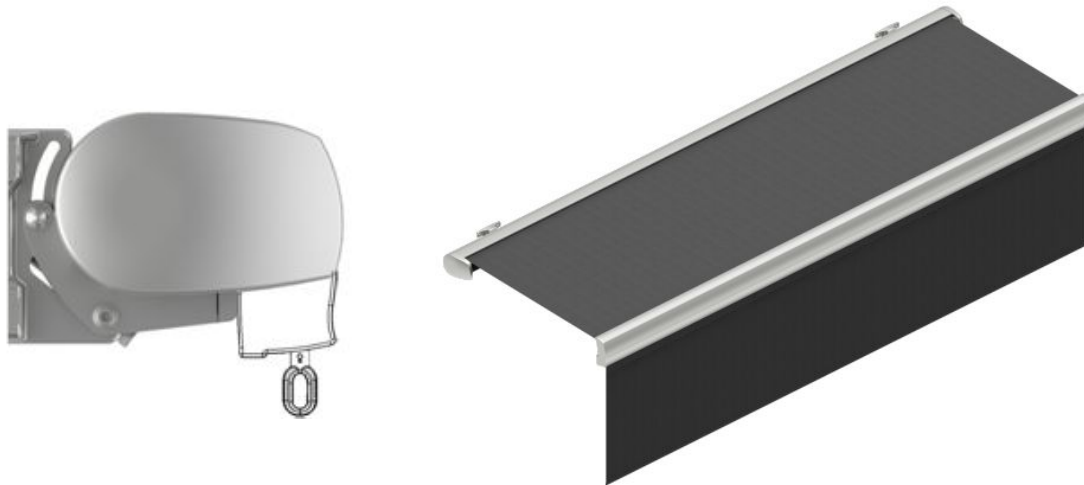
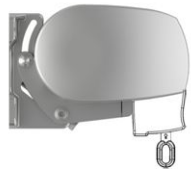


Tabla de clasificación según la línea, salida y números de brazos
Class depending on width, projection and arm number
Tableau de type selon la ligne, la sortie et le nombre de bras
Tabella di classificazione in base alla larghezza, sporgenza e numero di bracci

Línea (m) Width Ligne Larghezza	2,00	3,00	4,00	5,00	6,00	7,00	7,50	8,00	9,00	10								
Salida (m) Projection Sortie Aggetto	Número de brazos · Arm number · Nombre de bras · Numero bracci																	
	2	3	2	3	2	3	2	3	2	3	3	3	4	3	4	3	4	4
1,50	A		A	A	A	A	A	A	A	A	A	A	A	A	A	A	A	A
1,75			A		A	A	A	A	A	A	A	A	A	A	A	A	A	A
2,00			A		A	A	A	A	A	A	A	A	A	A	A	A	A	A
2,25			A		A	A	A	A	A	A	A	A	A	A	A	A	A	A
2,50					A		A	A	A	A	A	A	A	A	A	A	A	A
2,75					A		A	A	A	A	A	A	A	A	A	A	A	A
3,00					A		A		A	A	A	A	A	A	A	A	A	A

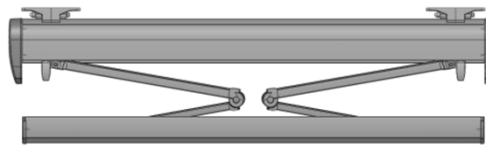
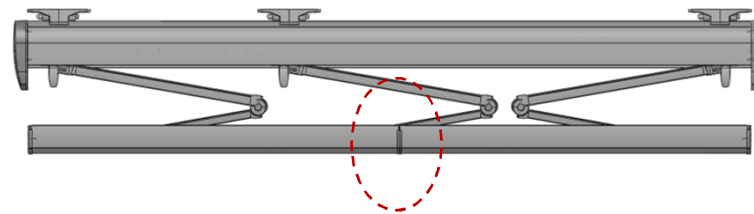


A = Clase II

B = Clase I

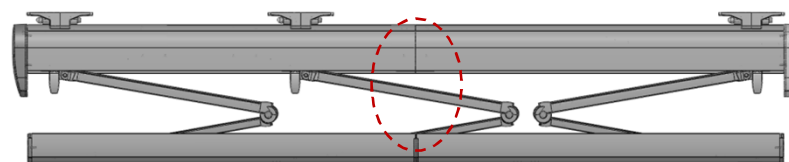


Resistencia al Viento · Wind Resistance · Résistance au Vent · Resistenza al Vento		
Clase · Class Clase · Classe	Velocidad Máxima Viento · Maximum Wind Speed Vélocité Maximale Vent · Velocità Massima Vento	Presión · Pressure Pression · Pressione
1	28 Km/h	40 N/m ²
2	38 Km/h	70 N/m ²
3	49 Km/h	110 N/m ²

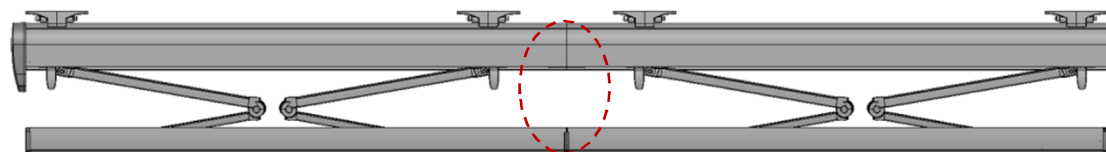
Type 1: 2 arms. Without joint (Up to 5m)**Type 2: 3 arms. With joint charge profile (Up to 7m)**

Type 3: 3 arms. With joint (From 7,01 up to 9m)

3

**Type 4: 4 arms. With joint (Up to 10m)**

4



Charge profile Kýma Vertiko

Tabla de descuentos · Cutting table · Tableau de remises · Tabella misurazioni					
PERFILES · PROFILES · PROFILS · PROFILI		LONAS · CANVASES BACHES · TELONI		EJES · AXES · AXES · ASSI	
BARRA DE CARGA · CHARGE PROFILE BARRE DE CHARGE · BARRA DI CARICO				Ø43*	Ø47**
B/C CORTINA* CHARGE PROFILE CURTAIN* B/C RIDEAU* B/C TENDA*	REGISTRO B/C CORTINA* CHARGE PROFILE CURTAIN REGISTRY* CAISSE B/C RIDEAU* REGISTRO B/C TENDA*	CORTINA PARA MÁQUINA CURTAIN FOR GEAR RIDEAU POUR TREUIL TENDA PER ARGANELLO	MOTOR MOTOR MOTEUR MOTORE	MÁQUINA* GEAR* TREUIL* ARGANELLO*	MOTOR MOTOR MOTEUR MOTORE
					
1	Bc = L - 136	Bc - 39	Bc-33	Bc - 23	L + 1 - H
2	Bc = L - 136	Bc - 39	Bc-33	Bc - 23	L + 1 - H
3	Bc3 = (L - 142) / 2	Bc3 - 48	Bc-42	Bc3 - 31	L + 8 - H
4	Bc3 = (L - 142) / 2	Bc3 - 48	Bc-42	Bc3 - 31	L + 8 - H

L = Width.

Lp = Profile length.

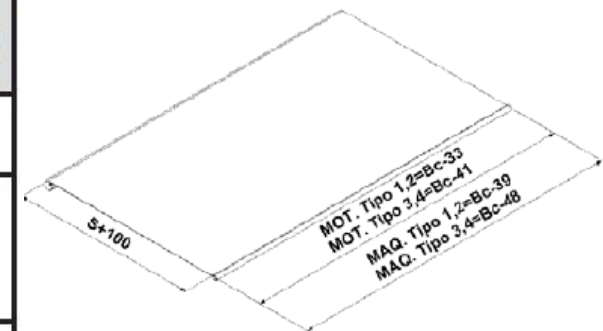
Bc = Charge profile length.

Bc3 = Charge profile length, for 2 sections
TYPE 3, TYPE 4.

H = Dimension of motor head with adaptor.

Charge profile Kýma Vertiko BALLAST and VALANCE

	Máquina · Gear Treuil · Arganello		Motor · Motor Moteur · Motore	
	Cadena Chain Chaîne Catena	Paravento Paravento Paravento Paravento	Cadena Chain Chaîne Catena	Paravento Paravento Paravento Paravento
Cadena Plastificada · Laminated chain Chaîne plastifiée · Catena plastificata	L + 30	-	L + 40	-
Perfil Refuerzo Curvo Paravento Curved Paravento reinforcement profile Profil Support Courbe Paravento Profilo di rinforzo ricurvo paravento	-	L - 23	-	L - 13
Faldilla Barra de Carga · Charge profile flap Bavette barre de charge · Flangia Barra di carico	L	L	L	L
Faldilla de Cortina · Curtain flap Lambrequin de rideau · Flangia tenda	-	L - 33	-	L - 23



Kýma

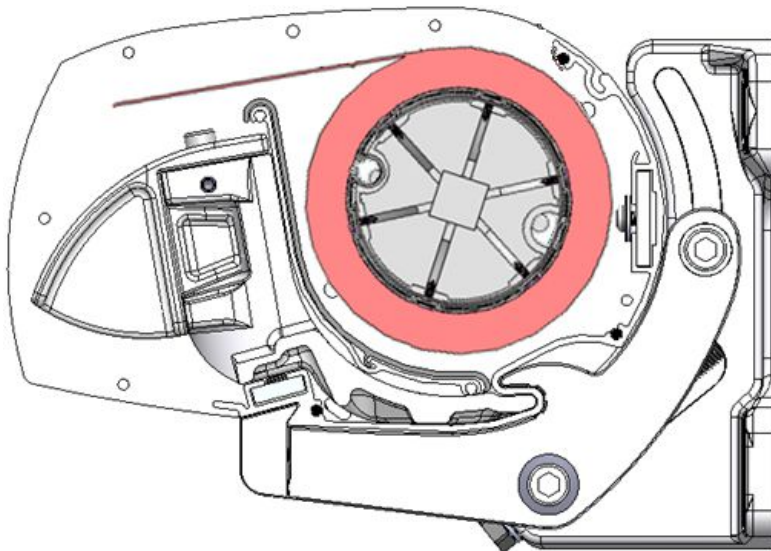
gaviota
Sun Life Specialist

FABRIC KÝMA

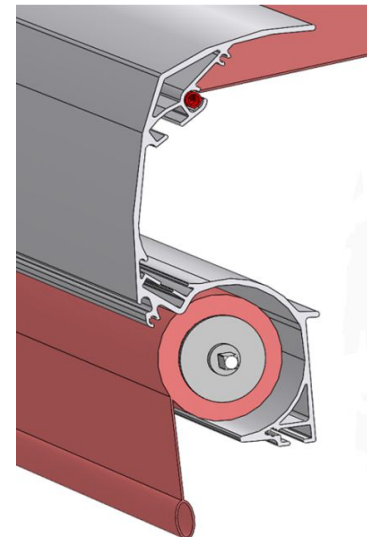


Maximum capacity acrylic fabric projection

Box: 4,40m with tube Ø85



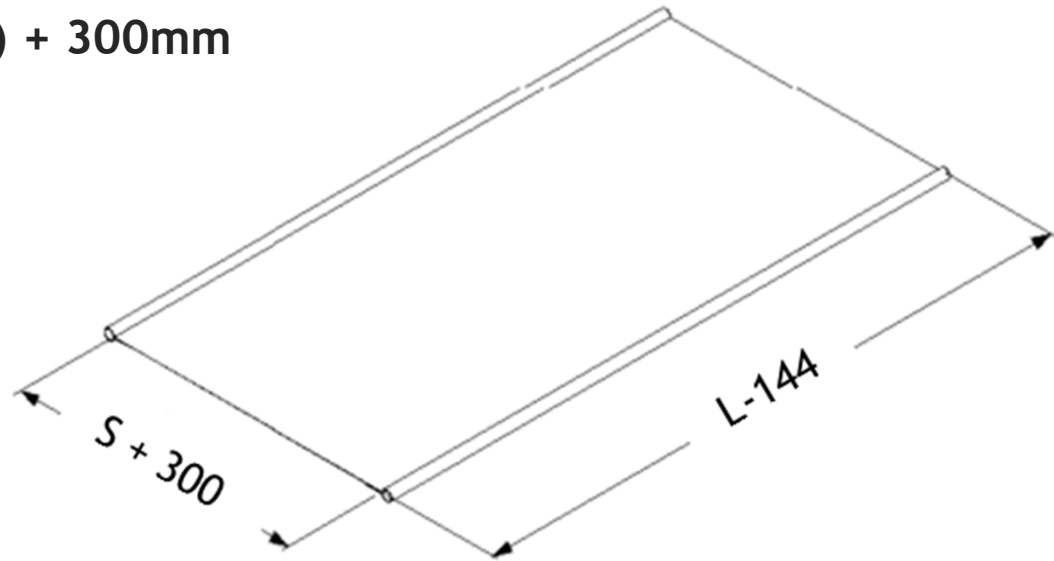
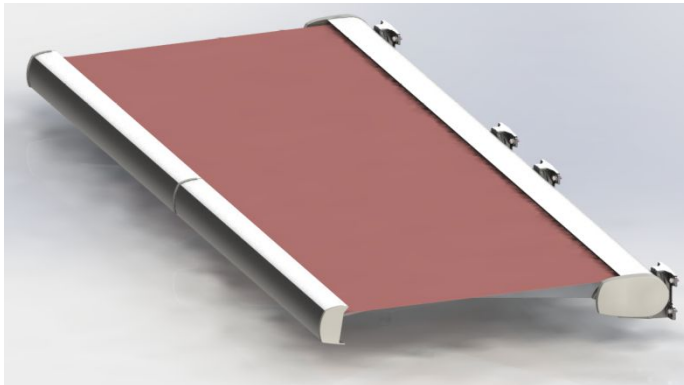
Kýma Vertiko: 1,80m with tube Ø43
1,40m with tube Ø47



Fabric preparation Kýma

L-144mm x S (arm projection) + 300mm

NB: S+400 mm is better.



Fabric preparation for Kýma Vertiko

Motor:

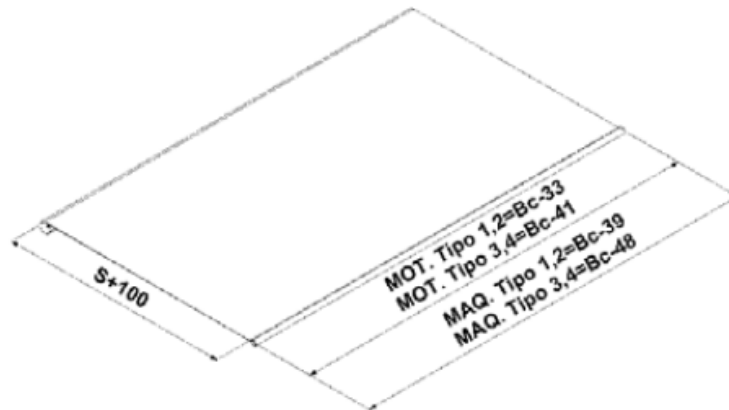
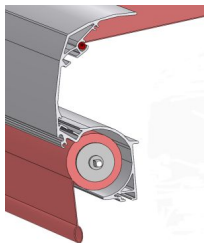
Type 1, 2: Bc-33mm x S + 100mm

Type 3, 4: Bc-41mm x S + 100mm

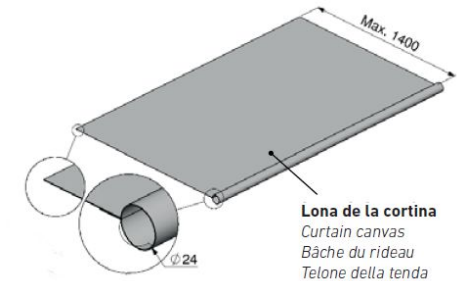
Gear:

Type 1, 2: Bc-39mm x S + 100mm

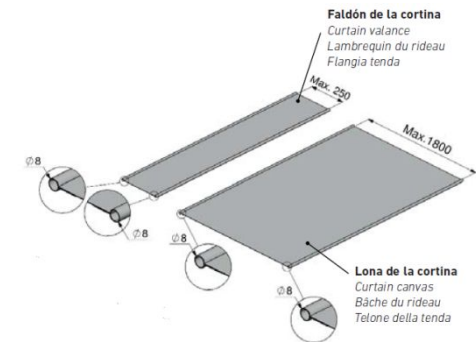
Type 3, 4: Bc-48mm x S + 100mm



- Ballast with chain (motor)

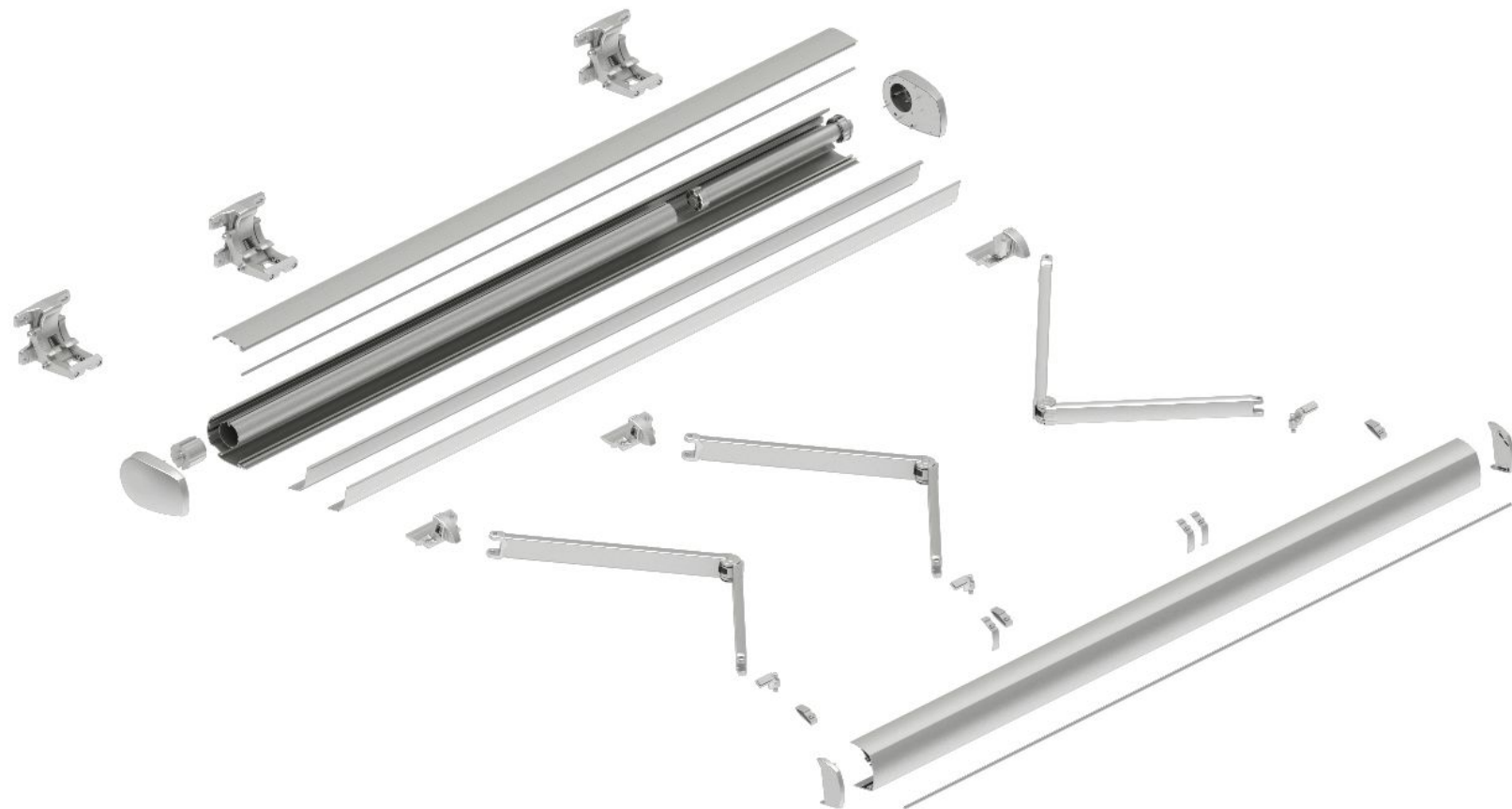


- Ballast with profile (manual)



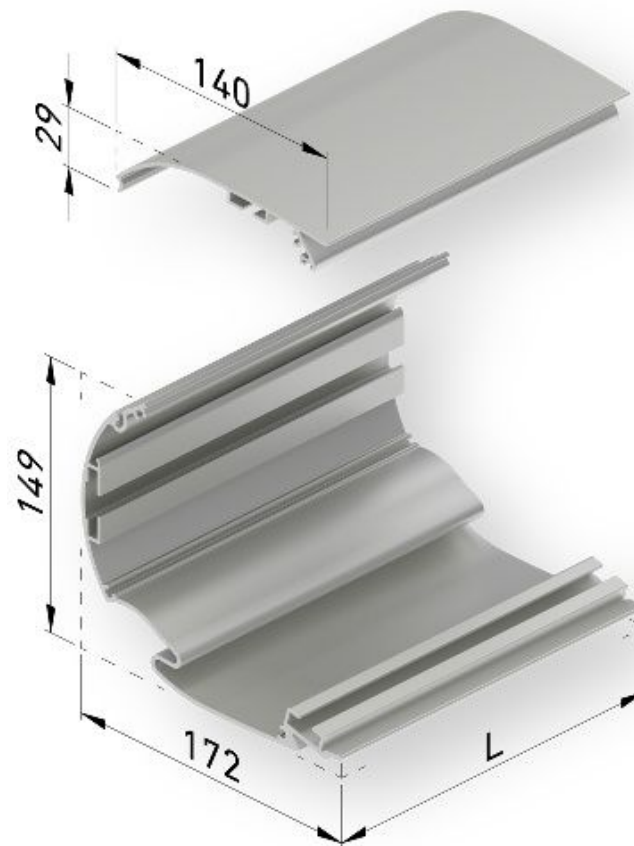
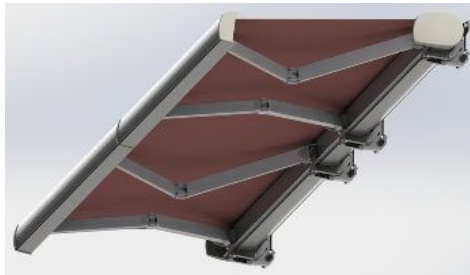
Kýma

gaviota
Sun Life Specialist



Profiles box:

- Cajón
- Upper profile

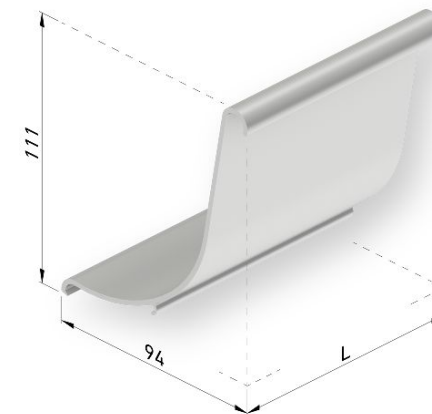
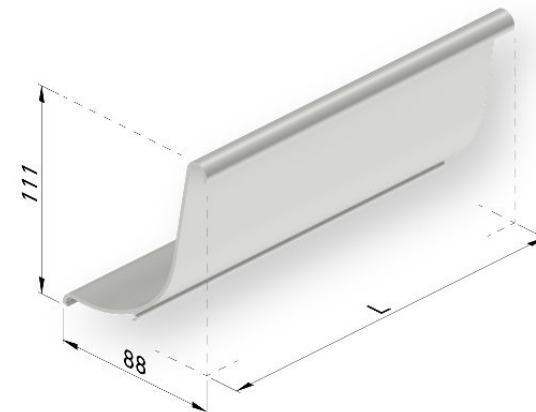
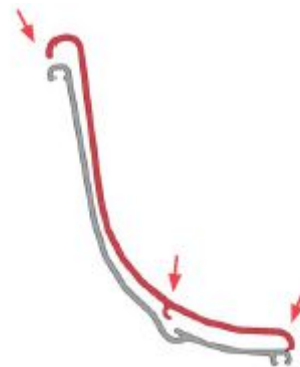


Frontal profile Lira:

Fabric protection

2 parts:

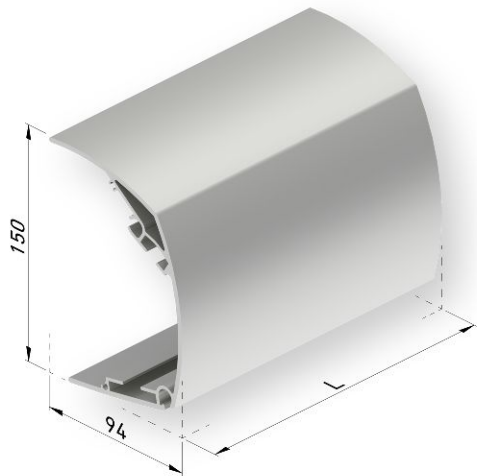
- Aluminim profile
- PVC profile



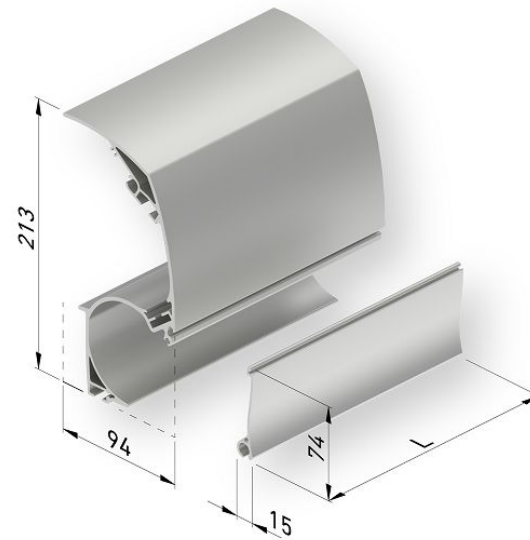
¡Fabric PVC - without frontal profiles of aluminio and PVC!

Charge profile

Kýma

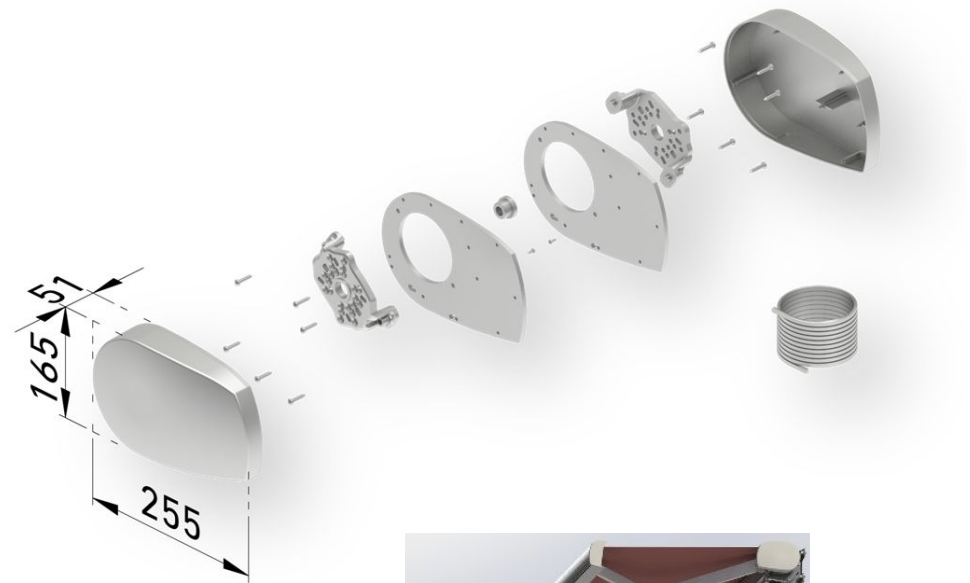


Kýma Vertiko



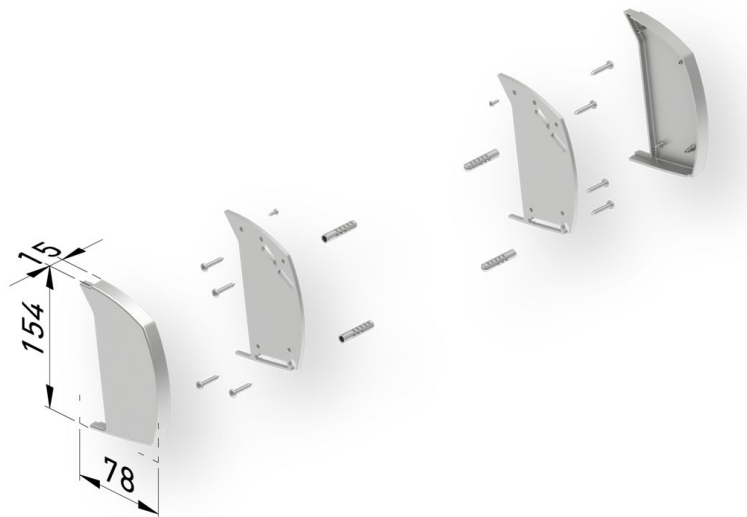
Kit box covers:

- Lateral supports
- Motor/opposite side fastening
- Plastic earring
- Brush seal
- Screws
- Covers

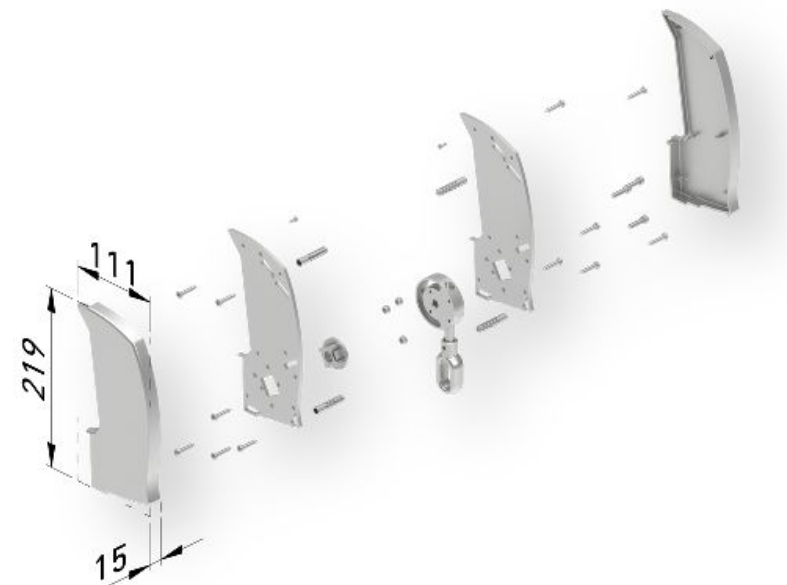


Charge profile cover kit :

Kýma



Kýma Vertiko



Kýma

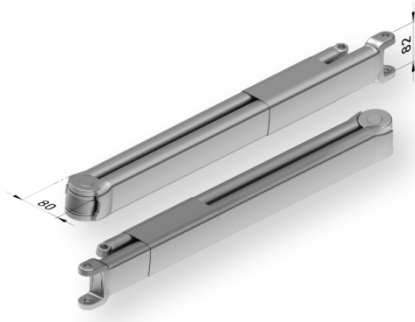
gaviota
Sun Life Specialist

Arm

Premium



Concept



Profile traslucido led



Lighting leds (with Arms Concept)

Kit lighting (1 per pair)



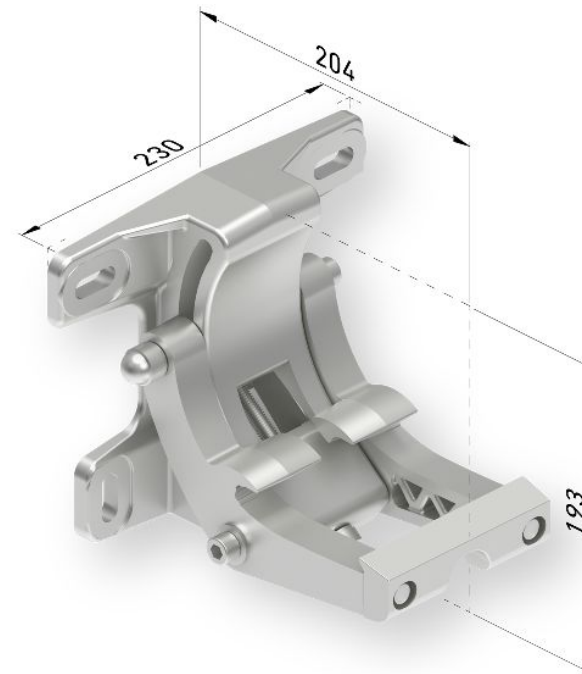
Alimentation source (1 per pair)



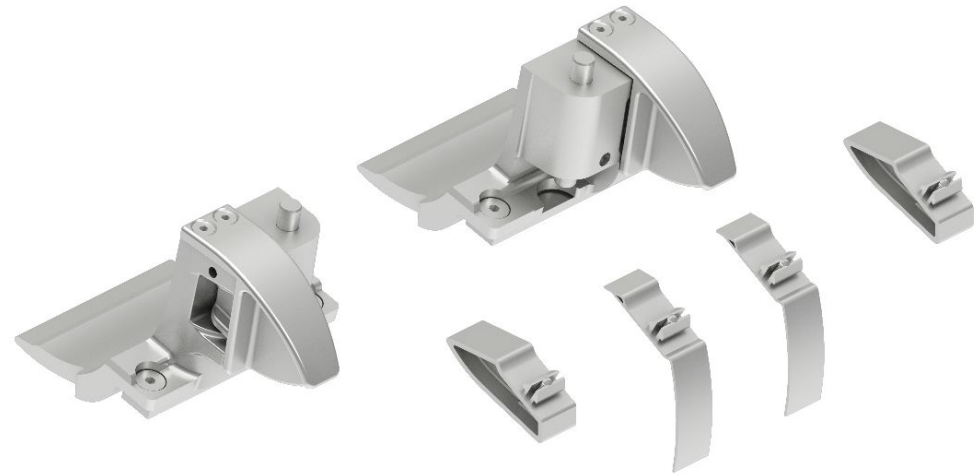
Receiver Cross



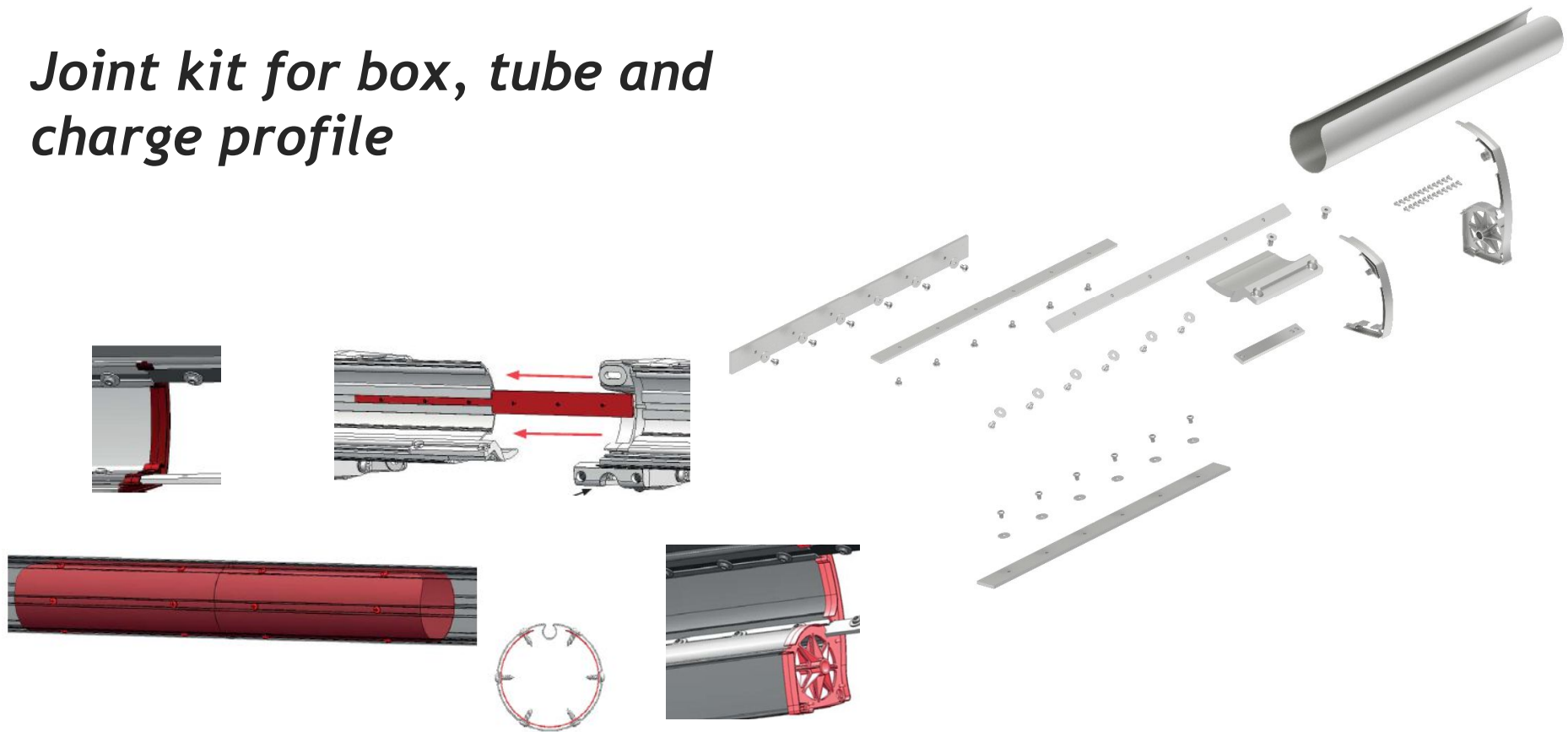
Adjustment support kit



Pair arm supports

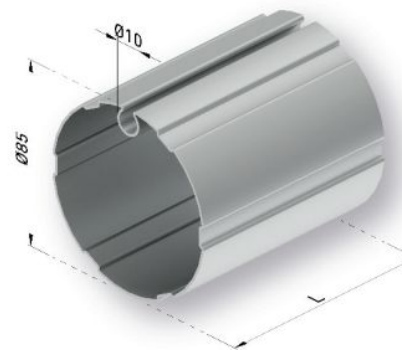


Joint kit for box, tube and charge profile



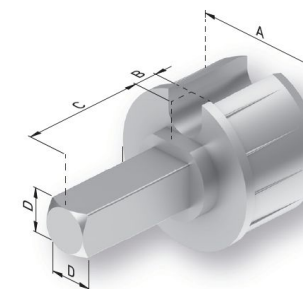
TUBETube $\varnothing 78 \times 1,2$ 

$\varnothing 78$ - Maximum width 6m!

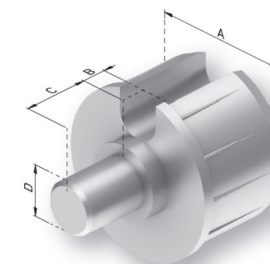
Tube $\varnothing 85 \times 1,2$ 

Caps para gear					
Tube	Ref.	A	B	C	D
78 ran	80020032	Ø78	7,5	33	13
85 ogiva	80020088	Ø85	7,5	33	13

Gear: ONLY FOR 2 ARMS, MAXIMUM PROJECTION 3,50m , Width maximum 6m
GEL 1:11 Cáncamo de 120 (Code 80010348).

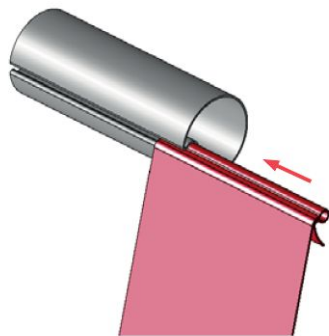
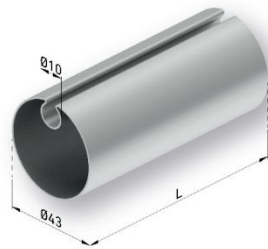


Caps punto para motor					
Tube	Ref.	A	B	C	D
78 ran	80020044	Ø78	7,5	40	12
85 ogiva	80020087	Ø85	7,5	20	12

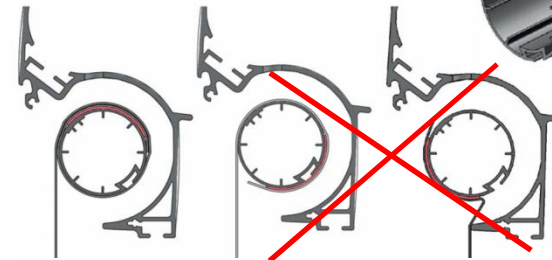
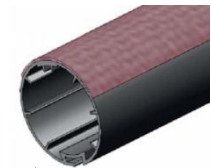
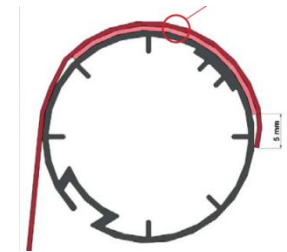
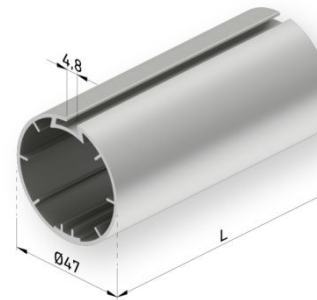


Tube for charge profile Kýma Vertiko

Tube $\varnothing 43$ (gear)



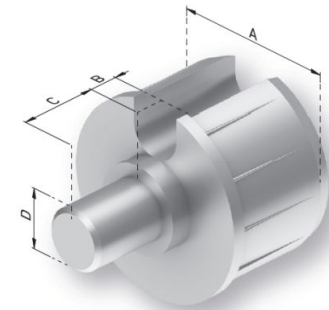
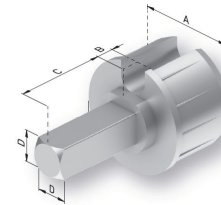
Tube $\varnothing 47$ (motor)



Caps charge profile Kýma Vertiko

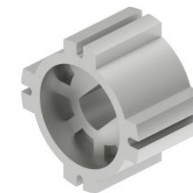
Tube $\varnothing 43$ (gear)

Cap for gear					
Tube	Ref.	A	B	C	D
$\varnothing 43$ ran	80020188	$\varnothing 43$	8	15	7
Cap opposite side tube 43					
Tube	Ref.	A	B	C	D
$\varnothing 43$ ran	80020060	$\varnothing 43$	4	12	12

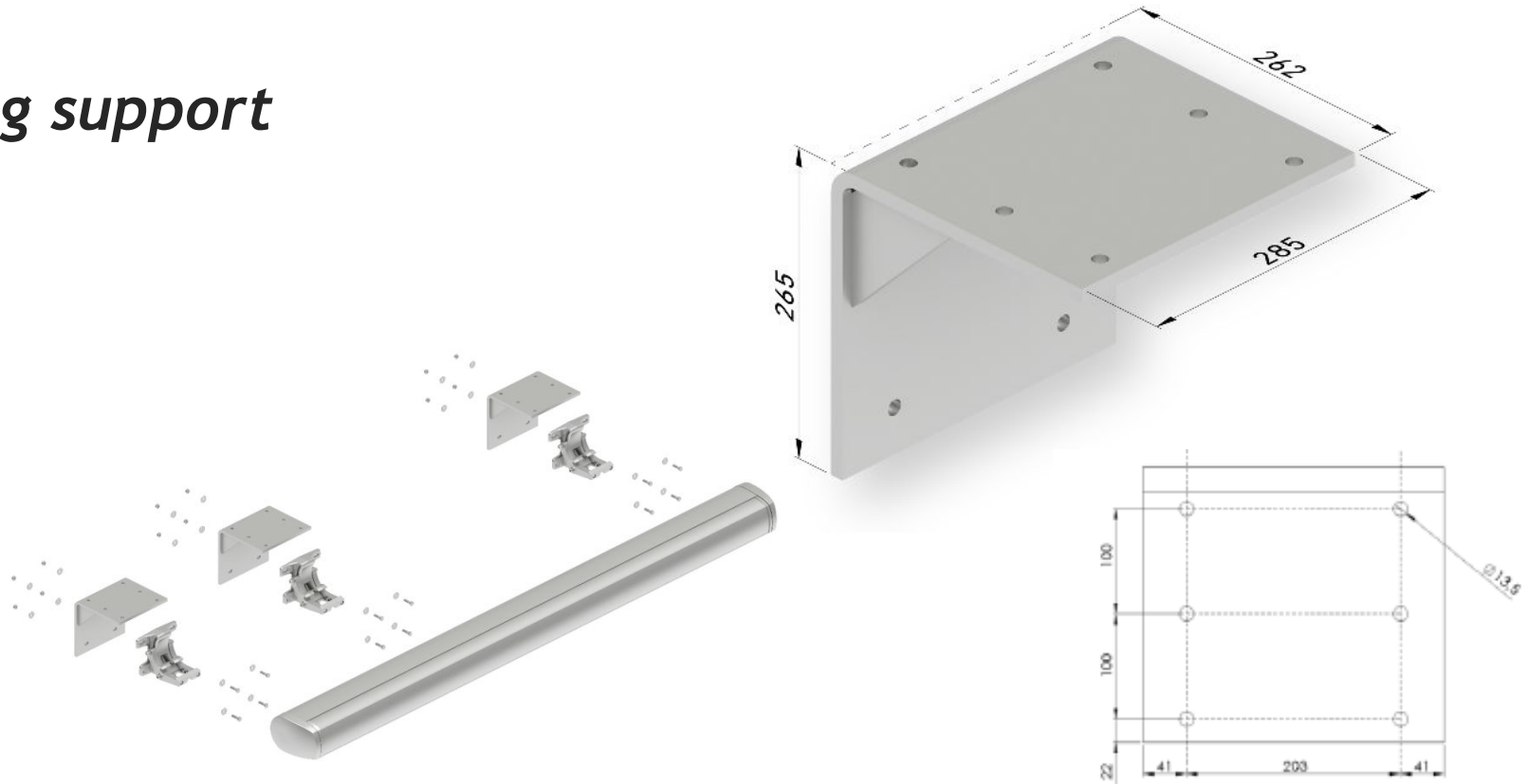


Tube $\varnothing 47$ (motor)

Cap opposite side tube 47					
Tube	Ref.	A	B	C	D
$\varnothing 47$	80020193	$\varnothing 47$	4	12	12
Motor adaptador motor tube 47					
Tube	Ref.	A	B	C	D
$\varnothing 47$ ran	60070090	$\varnothing 47$			

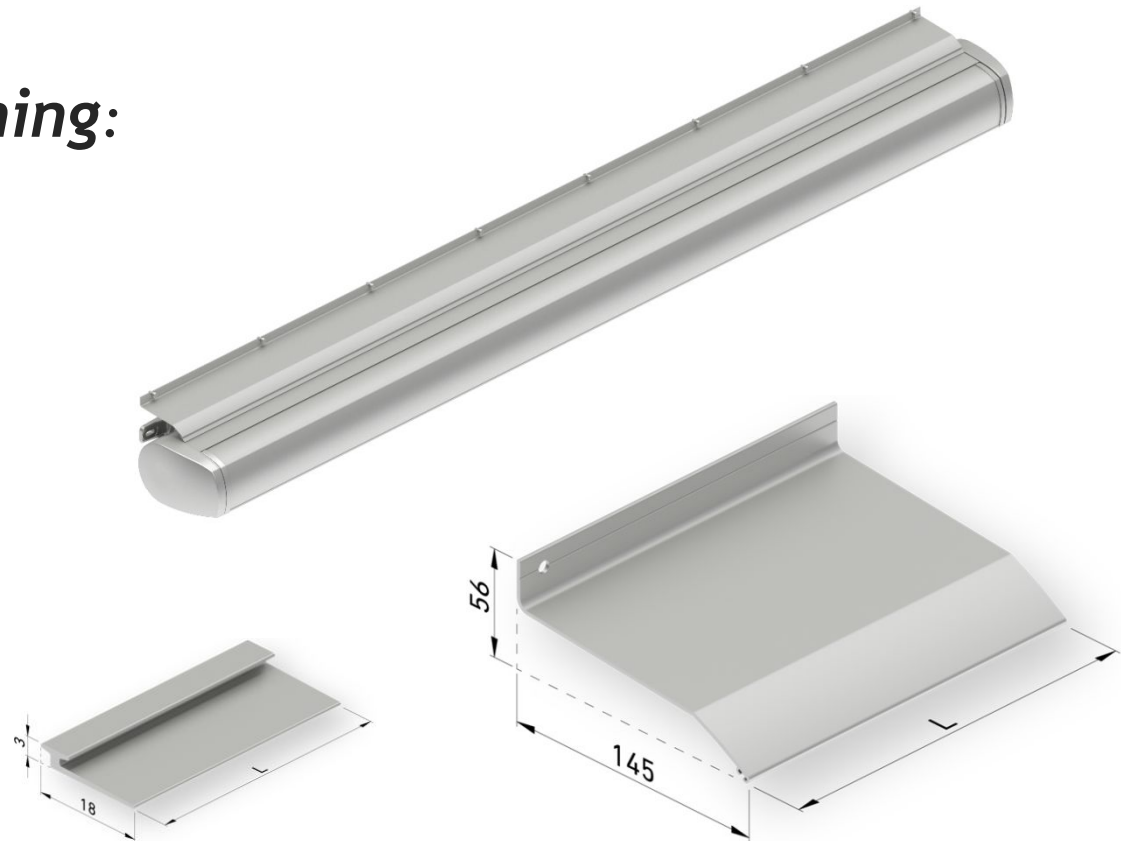


Ceiling support



Flat hood for box awning:


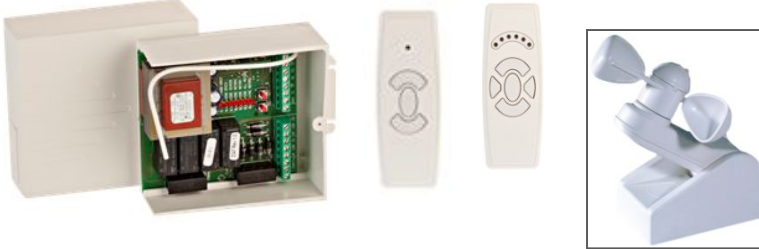
- Flat hood profile
- PVC seal



Motor adaptors:










- Adaptors pair 78 ogiva series 45
- Adaptors pair 85 ogiva series 45
- Adaptors pair 85 ogiva series 55












<p>MOTOR CROSS BOX series 45-55 (with radio end of stroke)</p>	<p>MOTOR GS series 55 (Mechanic end of stroke)</p>
<p>Remote control CROSS; Sun Wind sensor Cross</p>	<p>Central TANDÉN and Remote control Omega Sun Wind sensor Elite 60090073</p>
	

Kýma

gaviota
Sun Life Specialist

		1	2	3	4	5	6
Image	Description	Type 1 and 2	Type 3	Type 4	Type 4	Type 4	Type 6
	N° arms	2	3	3	4	5	6
	Pair Arms	1	2	2	2	3	3
	Wall support	2	3	3	4	5	6
	Pair Arm Support	1	2	2	2	3	3
	Kit box covers	1	1	1	1	1	1
	Kit covers for C/P	1	1	1	1	1	1
	Joint kit			1	1	1	1
	Profiles kit	1	1	2	2	2	2
	N° motors	1	1	1	1	2	2
	Central TANDEM					1	1

		1	2	3	4
Image	Description	Type 1 and 2	Type 3	Type 4	Type 4
	Nº arms	2	3	3	4
	Pair Arms	1	2	2	2
	Support wall	2	3	3	4
	Pair Arm Support	1	2	2	2
	Kit box covers	1	1	1	1
	Kit covers for C/P	1	1	1	1
	Kit joint		1	1	1
	Profiles kit	1	1	2	2
	Nº motors	1	1	1	1
	Central TANDEM				

Kýma

gaviota
Sun Life Specialist



NOTE: Copyright GAVIOTA SIMBAC S.L.

GAVIOTA SIMBAC S.L owns the copyrights to the photographs, illustrations, and text in this material, and these may not be used, copied, or reproduced in any form, nor by any means, without prior authorization of GAVIOTA SIMBAC S.L .



gaviota

Sun Life Specialist