

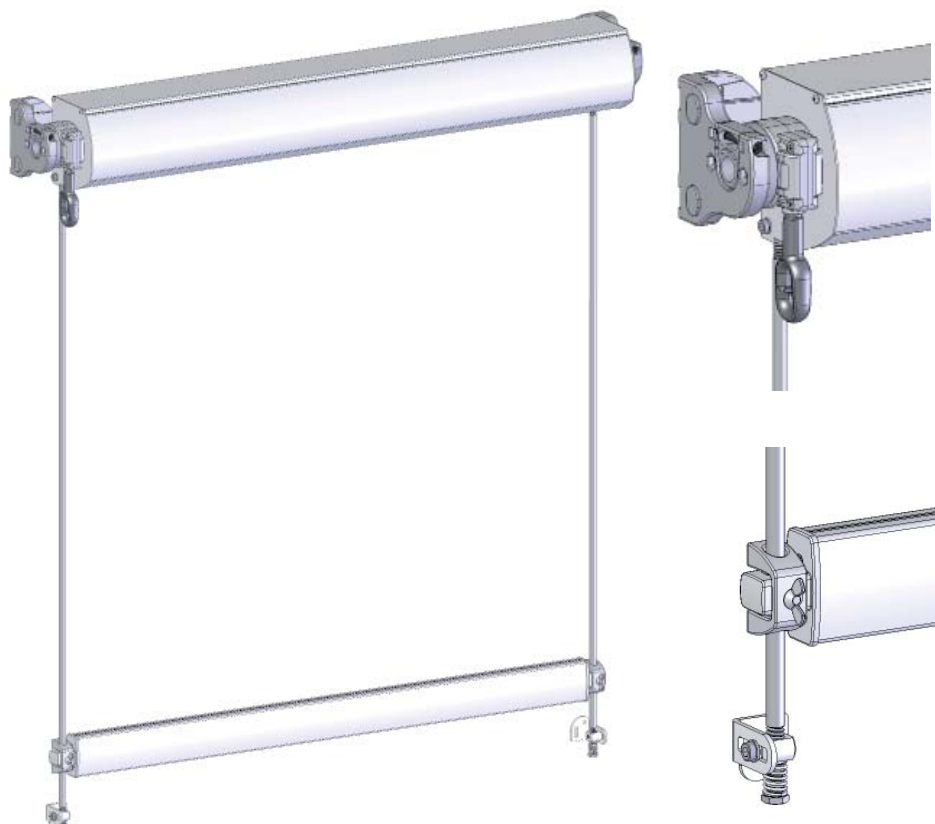
## Screen Cofre Nimbus • Nimbus Box Screen Coffre Store Vertical Nimbus • Cassonetto Screen Nimbus

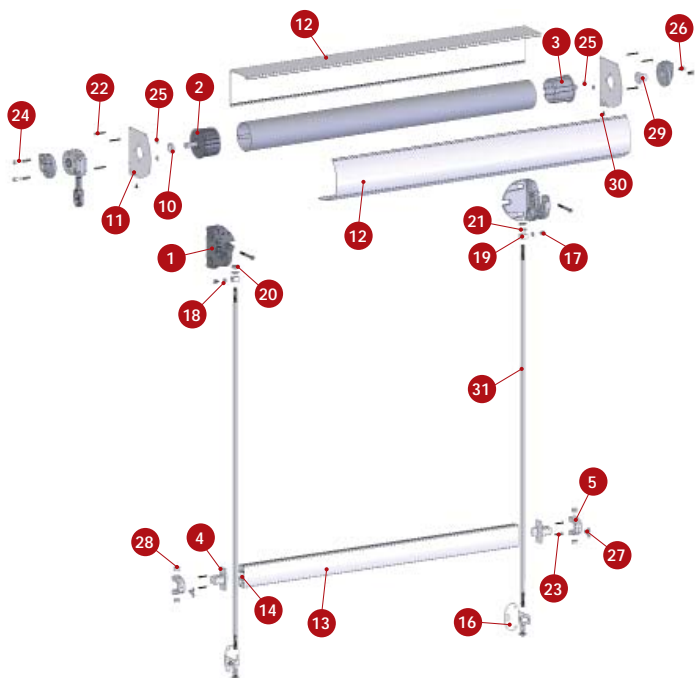
Ⓔ Manual Instalación

Ⓕ Manuel Installation

ⒼB Assembly Instructions

Ⓘ Manuale di Installazione





**E** Esquema Screen Cofre Nimbus con máquina.

**GB** Nimbus Box Screen scheme with gear.

**F** Schéma Coffre Store Vertical Nimbus à treuil.

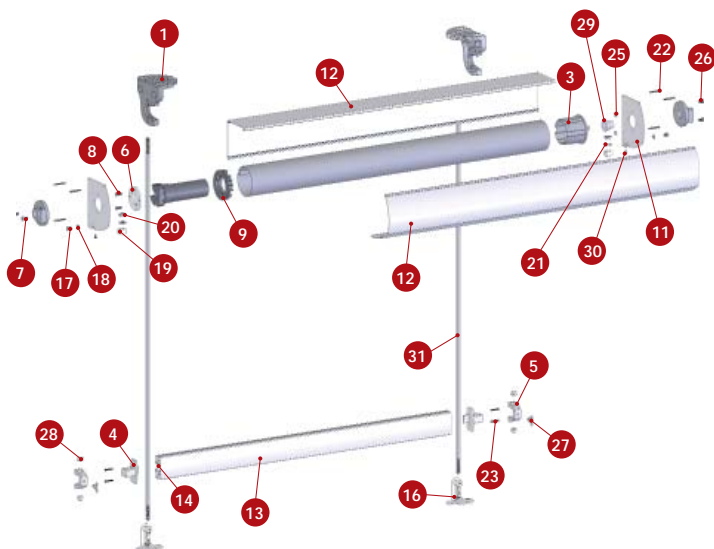
**I** Schema cassonetto Screen Nimbus con arganello.


**E** Esquema Screen Cofre Nimbus con motor.

**GB** Nimbus Box Screen scheme with motor.

**F** Schéma Coffre Store Vertical Nimbus motorisé.

**I** Schema Cassonetto Screen Nimbus con motore.



N°	DESCRIPCIÓN DEL ARTÍCULO • ARTICLE DESCRIPTION DESCRIPTION ARTICLE • DESCRIZIONE ARTICOLO	 = Includido • Included Inclus • Incluso		UDS. UNITS UNITA
		KIT MAQUINA BLANCO (80170265) GEAR KIT WHITE (80170265) KIT TREUIL BLANC (80170265) KIT ARGANELLO BIANCO (80170265)	KIT MOTOR BLANCO (80170264) MOTOR KIT WHITE (80170264) KIT MOTORISATION BLANC (80170264) KIT MOTORE BIANCO (80170264)	
1	JUEGO ANCLAJE DOBLE CASSET SC NIMBUS, BLANCO • SET OF BRACKETS WITH DOUBLE ROUND PIVOT NIMBUS SCREEN, WHITE • JEU SUPPORTS DOUBLE CASSETTE SC NIMBUS BLANC • SET SUPPORTI DOPPIO CASSET SC, NIMBUS, BIANCO	✓	✓	1
2	CASQUILLO 78 RANURADO PLÁSTICO MÁQUINA E/C-13X40 • DRIVING ROUND CAP OF 78 WITH SQUARE PIVOT OF 13X40, IN PLASTIC • EMBOUT MÂLE CÔTÉ MANŒUVRE 78 S/C-13X40, EN PLASTIQUE CALOTTA DIAM. 78 CON PERNO Q. 13X40	✓		1
3	CASQUILLO 78 RANURADO PLÁSTICO PUNTO E/R-12X20 • ROUND CAP OF 78 WITH ROUND PIVOT OF 12X20, IN PLASTIC • EMBOUT MÂLE CÔTÉ OPPOSÉ 78 S/R-12X20, EN PLASTIQUE CALOTTA DIAM 78 C/PRT.12X20 PLASTICA	✓	✓	1
4	TOPE BARRA CARGA Ø10 SC NIMBUS, BLANCO • STOPPER FOR CHARGE PROFILE, Ø10 NIMBUS SCREEN, WHITE • EMBOUT BARRE DE CHARGE Ø10 SC NIMBUS BLANC • TAPPO BARRA TERMINALE BIANCO SC NIMBUS	✓	✓	2
5	SOPORTE FIJACIÓN TOPE BARRA CARGA SC NIMBUS, BLANCO • FIXATION SUPPORT FOR CHARGE PROFILE STOPPER, NIMBUS SCREEN, WHITE • SUPPORT FIXATION EMBOUT BARRE DE CHARGE NIMBUS BLANC SUPPORTO DI FISSAGGIO TAPPO BARRA TERMINALE BIANCO SC NIMBUS	✓	✓	2
6	SOPORTE MOTOR SC NIMBUS • SCREEN NIMBUS MOTOR SUPPORT SUPPORT MOTEUR NIMBUS • SUPPORTO MOTORE SC NIMBUS			1
7	TORNILLO ALLEN M6X8 DIN-912 INOX • M6X8 DIN-912 SST ALLEN SCREW VIS ALLEN M6X8 DIN-912 INOX • VITE ALLEN M6X8 DIN-912 INOX		✓	2
8	TORNILLO C/AVELL. PHILI M6X16 DIN-965 INOX • M6X16 DIN-965 SST PHILIPS HAZELNUT SCREW VIS A TÊTE FRAISÉE PHILIPS M6X16 DIN-965 INOX • VITE C/AVELL. PHIL. M6X16 DIN-965 INOX			2
10	ANILLO COMPENSACIÓN Q13 1415 SC UNIVERSAL ZIP • COMPENSATION RING Q13 1415, UNIVERSAL ZIP SCREEN • ANNEAU FIXATION Q13 1415 SC UNIV. ZIP • ANELLO COMPENSAZIONE Q13 1415 SC UNIVERSAL ZIP	✓		1
11	JUEGO TAPAS LATERALES COFRE SC NIMBUS, BLANCO • LATERAL SET OF CAPS, NIMBUS BOX SCREEN, WHITE JEU D'EMBOUTS LATÉRAUX COFFRE NIMBUS BLANC • SET TAPPI LATERALI CASSONNETO SC NIMBUS, BIANCO	✓	✓	1
15	FELPUDO SCREEN FITS L=5 M • FITS SCREEN MAT, 5M JOINT BRUSSE SCREEN FITS L=5 MTS • SPAZOLINO SCREEN FITS L= 5M	✓	✓	1
16	CONJUNTO SOPORTE FIJACIÓN INFERIOR Ø10 SC NIMBUS • LOWER FIXING SET, Ø10 NIMBUS SCREEN KIT SUPPORT FIXATION INFÉRIEUR Ø10 SC NIMBUS • KIT SUPPORTI DI FISSAGGIO INFERIORE Ø10 SC NIMBUS	✓	✓	2
17	TORNILLO ALLEN M6X8 DIN-7984 INOX • M6X8 DIN-7984 SST ALLEN SCREW VIS ALLEN M6X8 DIN-7984 INOX • VITE ALLEN M6X8 DIN-7984			2
18	ARANDELA M6 DIN-125 INOX • M6 DIN-125 SST WASHER RONDELLE M6 DIN-125 INOX • RONDELLA M6 DIN-125 INOX			2
19	BULÓN SOPORTE FIJACIÓN INFERIOR Ø10 SC NIMBUS INOX • STAINLESS STEEL BOLT FOR LOWER FIXING SET, Ø10 NIMBUS SCREEN • BOULON SUPPORT FIXATION INFÉRIEUR Ø10 SC NIMBUS INOX • BULLONE INOX DI FISSAGGIO INFERIORE Ø10 SC NIMBUS			2
20	TUERCA HEXAG. M10 DIN-439 INOX • M10 DIN-439 SST HEXAGONAL NUT ÉCROU HEXAG. M10 DIN-439 INOX • DADO ESAGONALE M10 DIN-439 INOX			2
21	ARANDELA M10 DIN-125 INOX • M10 DIN-125 SST WASHER RONDELLE M10 DIN-125 INOX • RONDELLA M10 DIN-125 INOX			2
22	TORNILLO Ø3,5X32 DIN-7981 INOX • Ø3,5X32 DIN-7981 SST SCREW VIS Ø3,5X32 DIN-7981 INOX • VITE Ø3,5X32 DIN-7981 INOX			6
23	TORNILLO Ø3,5X32 DIN-7982 INOX • Ø3,5X32 DIN-7982 SST SCREW VIS Ø3,5X32 DIN-7982 INOX • VITE Ø3,5X32 DIN-7982 INOX	✓	✓	4
24	TORNILLO ALLEN M6X45 DIN-912 INOX • M6X45 DIN-912 SST ALLEN SCREW VIS ALLEN M6X45 DIN-912 INOX • VITE ALLEN M6X45 DIN-912 INOX		✓	2
25	TUERCA HEXAG. M6 DIN-439 INOX • M6 DIN-439 SST HEXAGONAL NUT ÉCROU HEXAG. M6 DIN-439 INOX • DADO ESAGONALE M6 DIN-439 INOX			4
26	TORNILLO ALLEN M6X10 DIN-912 INOX • M6X10 DIN-912 SST ALLEN SCREW VIS ALLEN M6X10 DIN-912 INOX • VITE ALLEN M6X10 DIN-912 INOX			2
27	POMO MARIPOSA M6X10 KTSW-28M06M10 • M6X10 KTSW-28M06M10 BUTTERFLY HANDLE POIGNÉE PAPILLON M6X10 KTSW-28M06M10 • MANOPOLA M 6X10 KTSW-28M06M10			2
28	CASQUILLO SOPORTE FIJACIÓN Ø10 SC NIMBUS • FIXATION SUPPORT CAP, Ø10 NIMBUS SCREEN EMBOUT SUPPORT FIXATION Ø10 NIMBUS • CALOTTA SUPPORTO DI FISSAGGIO Ø10 SC NIMBUS			4
29	CASQUILLO COMPENSACIÓN COFRE Ø12 SC NIMBUS • Ø12 COMPENSATION CAP NIMBUS BOX SCREEN EMBOUT DE COMPENSATION COFFRE Ø12 NIMBUS CALOTTA DI COMPENSAZIONE CASSONNETO Ø12 SC NIMBUS			1
30	TORNILLO Ø3,5X6,5 DIN-7981 INOX • Ø3,5X6,5 DIN-7981 SST SCREW VIS Ø3,5X6,5 DIN-7981 INOX • VITE Ø3,5X6,5 DIN-7981 INOX			2

N°	DESCRIPCIÓN DEL ARTÍCULO • ARTICLE DESCRIPTION DESCRIPTION ARTICLE • DESCRIZIONE ARTICOLO	CODIGO CODE CODICE	UDS. UNITS UNITA
9	POLEA Y ADAPTADOR CUIVA 78 S.50 • PULLEY AND ADAPTOR FOR 78 OGIVE, 50 SERIES POULIE ET ADAPTEUR À GORGE 78 S.50 • PULEGGA E ADATTATORE OGIVA 78 S.50	60070015*	1
12	PERFIL COFRE SC NIMBUS BLANCO 7M • BOX PROFILE IN METERS, NIMBUS BOX SCREEN, 7M, WHITE MTS. PROFIL COFFRE NIMBUS BLANC 7M • PROFILO CASSONNETO SC NIMBUS BIANCO 7M	80170253	1
13	PERFIL BARRA DE CARGA SC NIMBUS, BLANCO 7M • CHARGE PROFILE IN METERS, NIMBUS SCREEN, 7M, WHITE POULIE ET ADAPTEUR À GORGE 78 S.50 • PROFILO BARRA TERMINALE SC NIMBUS BIANCO DA 7M	80170225	2 Kg/m
14	BARRA REFUERZO 16X16 SC NIMBUS, ZINCADA, 3M • 16 X 16 REINFORCEMENT BAR IN METERS, NIMBUS SCREEN, 3M, ZINC COATED MTS. BARRÉ RENFORT 16X16 SC NIMBUS ZINGUÉE 3M • BARRA ZINCATA DI RINFORZO 16X16 SC NIMBUS DA 3M	80170228	1
31	VARILLA Ø10 MM INOX 304, 6M • Ø10MM ROD SST 304, 6M TRINGLE Ø10MM INOX • STECCA Ø10 MM INOX 304, 6M	80170306	1

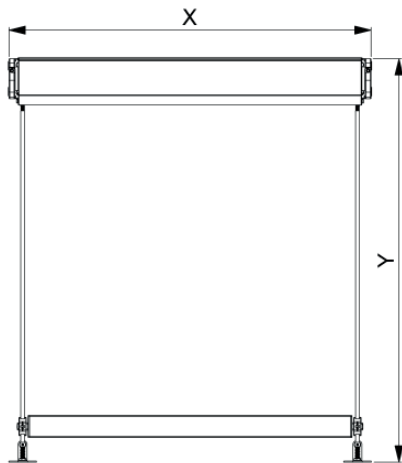
\*Solo opción motor • Only motor option • Seulement option moteur • Solo opzione motore

**E** Descuentos montaje

**F** Coupe à mesure pour montage

**GB** Cutting list

**I** Tabella montaggio



	MOTOR • MOTOR MOTEUR • MOTORE	MAQUINA INTERIOR • GEAR INSIDE TREUIL INTERNE • ARGANELLO INTERNO
PERFIL COFRE SCREEN NIMBUS NIMBUS BOX SCREEN PROFILE PROFIL COFFRE STORE VERTICAL NIMBUS PROFILO CASSONETTO NIMBUS	X - 60mm	X - 94mm
PERFIL BARRA CARGA SCREEN NIMBUS CHARGE PROFILE, NIMBUS SCREEN PROFIL BARRE DE CHARGE STORE VERTICAL NIMBUS PROFILO TERMINALE SCREEN NIMBUS	X - 117mm	X - 152mm
VARILLA Ø10 • Ø10 ROD TRINGLE Ø10 • TONDINO Ø10	Y - 140mm (A TECHO • TO CEILING • A PLAFOND • A SOFFITTO)	Y - 140mm (A TECHO • TO CEILING • A PLAFOND • A SOFFITTO)
	Y - 120mm (A PARED • TO WALL • A MUR • A PARETE)	Y - 120mm (A PARED • TO WALL • A MUR • A PARETE)
TUBO OJIVA Ø78 • Ø78 OGIVE TUBE TUBE A GORGE Ø78 • RULLO OGIVA Ø78	X - 97mm	X - 122mm
LONA SCREEN • SCREEN FABRIC TOILE STORE VERTICAL • TESSUTO SCREEN	X - 120mm	X - 155mm
	Y + 200mm	Y + 200mm
BARRA REFUERZO ACERO 16x16 16x16 REINFORCEMENT BAR BARRE RENFORT ACIER 16X16 BARRA RINFORZO ACCIAIO 16X16	2 Kg/m	2 Kg/m

**E** Accionamiento

**F** Manoeuvre

**GB** Operation

**I** Azionamento

- Motor Serie 50 • 50 Series Motor • Moteur Série 50 • Motore Serie 50
- Máquina Gel • Ciclon Gel • Treuil Gel • Arganello Gel

**E** Rango de Uso

**F** Rang d'utilisation

**GB** Usage Range

**I** Utilizzo

TUBO • TUBE • TUBE • TUBO	ANCHURA • WIDTH LARGEUR • LARGHEZZA	ALTURA • HEIGHT HAUTEUR • ALTEZZA
Ø78	5000mm	5000mm

**E** Sistema de fijación superior Screen Nimbus para varilla Ø10mm

**GB** Nimbus Screen upper fixing system for Ø10mm rod

**E** **Nota:** Opcionalmente se puede utilizar cable o varilla de Ø4mm.

**GB** **Note:** You can optionally use Ø4mm rod or rope.

**E** Paso 1:

Fijar el bulón soporte fijación y posteriormente la varilla Ø10 roscada M10 en ambos extremos.

**GB** Step 1:

Fix the upper fixing bolt and later the Ø10 rod, M10 threaded at both sides.

**F** 1:

Fixer le boulon de support de fixation et juste après, la tringle Ø10 vissée M10 aux deux extrémités.

**I** Fase 1:

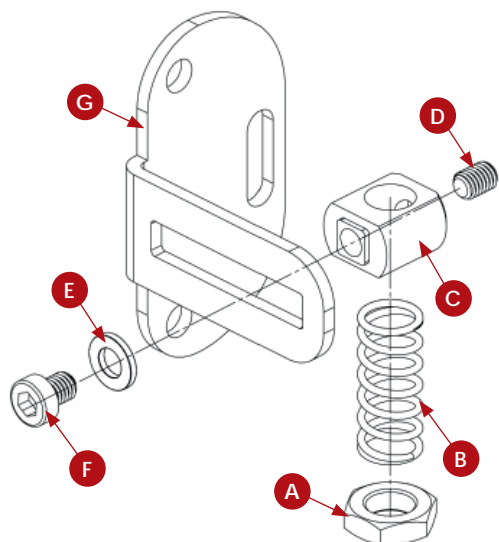
Fissare il bullone di supporto fissaggio e dopo il tondino avvitato M10 in entrambe le estremità.

**E** Paso 2:

Fijar el sistema de fijación inferior a pared/suelo del Screen Nimbus para varilla Ø10mm.

**GB** Step 2:

Fix the lower fixing set to wall/floor of the Nimbus Screen for Ø10mm rod.

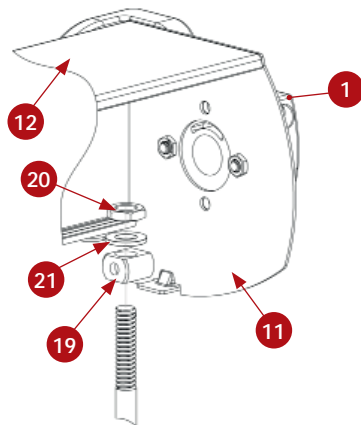


**F** Système de fixation supérieur Store Vertical Nimbus pour tringle Ø10mm

**I** Sistema di fissaggio superiore Screen Nimbus per tondino 10mm

**F** **Note:** Optionnellement on peut utiliser câble ou tringle de Ø4mm.

**I** **Nota:** Opzionalmente si può usare un cavo o un tondino di Ø4mm.



**F** 2:

Fixer le système de fixation inférieur à mur/sol du Store Vertical Nimbus pour tringle de Ø10mm.

**I** Fase 2:

Fissare il sistema di fissaggio inferiore a parete/terra dello Screen Nimbus per tondino 10 mm.

<b>A</b>	Tuerca hexagonal M10 DIN-439 inox. M10 DIN-439 sst hexagonal nut. Ecroû hexagonal M10 DIN-439 inox. Dado esagonale M10 DIN-439 inox.
<b>B</b>	Muelle fijación pared tubo-cable inox. Sst wall fixation spring for rod-rope. Resort fixation mur tubo-cable inox. Molla di fissaggio parete tubo-cavo inox.
<b>C</b>	Bulón soporte fijación inferior Ø10 Screen Nimbus inox. Ø10 sst lower fixation support bolt for Nimbus Screen. Boulons support fixation inférieur Ø10 Store Vertical Nimbus inox. Innesto per fissaggio inferiore Ø10 Screen Nimbus inox.
<b>D</b>	Prisionero Allen M6X5 DIN-916 inox. Allen M6x5 DIN-916 sst prisoner. Vis Allen M6x5 DIN-916 inox. Vite a prigioniero M6X5 DIN-916 inox.
<b>E</b>	Arandela M6 DIN-125 inox. • M6 DIN-125 sst washer. Rondelle M6 DIN-125 inox. • Rondella M6 DIN-125 inox.
<b>F</b>	Tornillo M6X8 DIN-7984 inox. • M6x8 DIN-7984 sst screw. Vis M6x8 DIN-7984 inox. • Vite M6x8 DIN-7984 inox.
<b>G</b>	Soporte fijación inferior Screen Universal inox. Sst lower fixation support for Universal Screen. Support fixation inférieur Store Vertical Universal inox. Supporto fissaggio inferiore Screen Universal inox.

**E Paso 3:**

Introducir la varilla Ø10mm en el soporte fijación inferior según la orientación deseada (pared o suelo), dar la tensión a la varilla enroscando las tuercas M10 sobre ambos extremos.

**GB Step 3:**

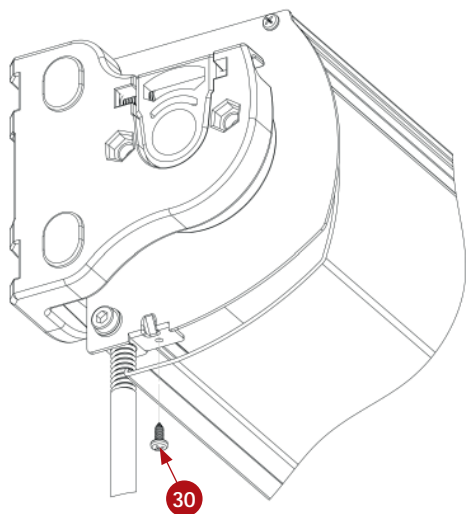
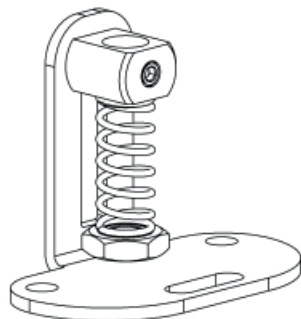
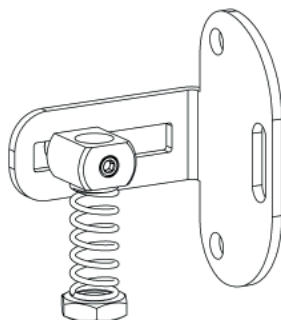
Insert the Ø10mm rod at the lower fixing support according to the desired orientation (wall or floor) and give tension to the rod by screwing the M10 nuts on both sides.

**F 3:**

Introduire la tringle Ø10mm dans le support de fixation inférieur selon l'orientation souhaitée (mur ou sol), tensionner la tringle en vissant les écrous M10 sur chaque extrémité.

**I Fase 3:**

Introdurre il tondino 10mm nel supporto fissaggio inferiore secondo l'orientamento desiderato (parete o suolo), dare tensione al tondino avvitando il dado M10 su entrambe le estremità.



**E Paso 4:** Montaje del perfil registro Screen Nimbus.

Atornillar el perfil registro a las tapas laterales.

**GB Step 4:** Nimbus Screen box profile assembly.

Screw the box profile to the lateral caps.

**F 4:** Montage du profil boîtier Store Vertical Nimbus.

Visser le profil boîtier aux couvercles latéraux.

**I Fase 4:** Montaggio del profilo registro Screen Nimbus.

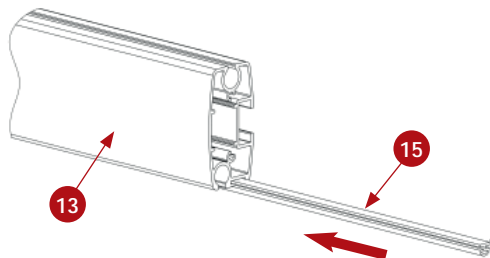
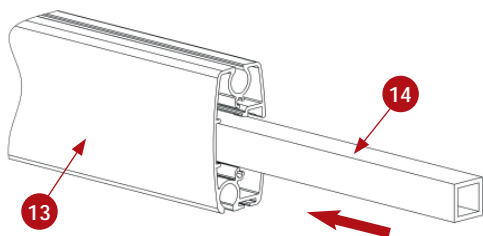
Avvitare il profilo registro ai 2 tappi laterali.

**E Paso 5:** Montaje felpudos.  
Introducir el felpudo en el perfil barra de carga.

**GB Step 5:** Mats assembly.  
Insert the mat at the charge profile.

**F 5:** Montage joint brosse.  
Introduire le joint brosse dans le profil barre de charge.

**I Fase 5:** Montaggio spazzolino.  
Introdurre lo spazzolino nel profilo terminale.



**E Paso 6:** Montaje barra de carga.  
Introducir la barra de carga en el perfil barra de carga (2Kg/m).

**GB Step 6:** Charge profile assembly.  
Insert the reinforcement bar at the charge profile (2Kg/m).

**F 6:** Montage barre de charge.  
Introduire la barre de charge dans le profil barre de charge (2Kg/m).

**I Fase 6:** Montaggio del profilo terminale.  
Introdurre la barra contrappeso nel profilo terminale (2Kg/m).



**GAVIOTA SIMBAC, S.L.**

Autovia de Alicante A-31, Km.196

03630 Sax (Alicante) - ESPAÑA / SPAIN

Tel. +34 965 474 200•Fax +34 965 475 680

International Dept: +34 966 968 276•Fax +34 966 968 075

comercial@gaviotasimbac.com - export@gaviotasimbac.com

www.gaviotasimbac.com